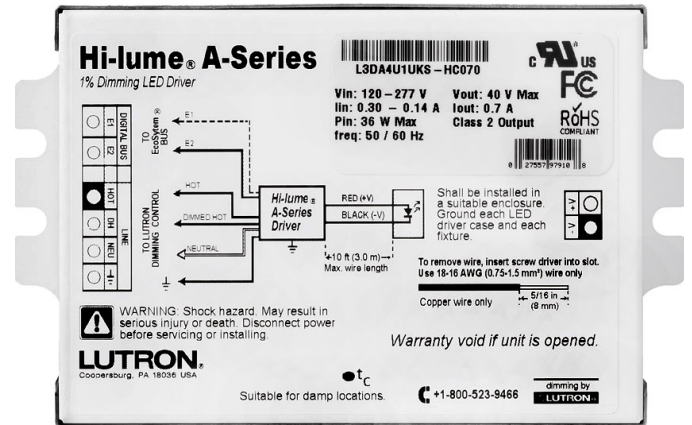


Hi-lume® A-Series Driver Overview EcoSystem® or 3-wire control

Hi-lume® A-Series Driver is a high-performance LED driver that provides smooth, continuous 1% dimming for virtually any LED fixture, whether it requires constant current or constant voltage. It is the most versatile LED driver offered today due to its compatibility with a wide variety of LED arrays, multiple form factors, and numerous control options.

Features

- Continuous, flicker-free dimming from 100% to 1%.
- Compatible with Energi Savr Node™ with EcoSystem® unit, GRAFIK Eye® QS control unit, PowPak™ dimming module with EcoSystem®, and Quantum® systems, allowing for integration into a planned or existing EcoSystem® lighting control solution. Please see chart at the end of this document or contact Lutron for details regarding compatible controls.
- Standard 3-wire line-voltage phase-control technology for consistent dimming performance and compatibility with all Lutron® 3-wire fluorescent controls.
- Protected from miswires of input power to EcoSystem® control inputs.
- 100% performance tested at factory.
- 100% burned in at factory.
- A rated lifetime of 50,000 hours @ $T_c = 149^\circ\text{F}$ (65°C).
- UL recognized for United States and Canada.
- FCC Part 15 compliant for commercial applications at 120 V~ or 277 V~.
- Pulse Width Modulation (PWM) or Constant Current Reduction (CCR) dimming methods available. See Application Note #360 for details.
- For more information please go to: www.lutron.com/HilumeLED



Hi-lume® A-Series, case type K

3.00 in (76 mm) W x 1.00 in (25 mm) H x
4.90 in (124 mm) L



Hi-lume® A-Series, case type M

1.18 in (30 mm) W x 1.00 in (25 mm) H x 14.25 in
(362 mm) L

Job Name:	Model Numbers:
Job Number:	

Specifications

Performance

- Dimming Range: 100% to 1%
- Operating Voltage: 120-277 V \sim at 50/60 Hz
- A rated lifetime of 50,000 hours @ $T_C = 149^\circ\text{F}$ (65°C). Contact Lutron for derating information.
- Patented thermal foldback protection
- LEDs turn on to any dimmed level without flashing to full brightness.
- Nonvolatile memory restores all driver settings after power failure.
- Power Factor: > 0.90 at 40 W
- Standby Power Consumption: < 1.0 W
- Total Harmonic Distortion (THD): $< 20\%$ at 40 W
- Inrush Current: < 2 A
- Inrush Current Limiting Circuitry: eliminates circuit breaker tripping, switch arcing and relay failure.
- Open circuit protected
- Short circuit protected
- Turn-on time: < 1 second
- PWM Dimming Frequency: 550 Hz

Environmental

- Sound Rating: Class A.
- Relative Humidity: Maximum 90% non-condensing.
- Minimum operating ambient temperature
 $T_A = 32^\circ\text{F}$ (0°C).

Standards

- Meets ANSI C62.41 category A surge protection standards up to and including 4 kV.
- FCC Part 15 compliant for commercial applications at 120 V \sim or 277 V \sim .
- Manufacturing facilities employ ESD reduction practices that comply with the requirements of ANSI/ESD S20.20.
- Lutron® Quality Systems registered to ISO 9001.2008.
- UL 8750 recognized.
- Class 2 output available.
- Meets LED Driver requirements for Energy Star 1.1.

Driver Wiring & Mounting

- Driver is grounded by a mounting screw to the grounded fixture (or by terminal connection on the K case).
- Terminal blocks on the driver accept one solid wire per terminal from 18 to 16 AWG (0.75 to 1.5 mm²).
- Fixture must be grounded in accordance with local and national electrical codes.
- Maximum driver-to-LED light engine wire length is 10 ft (3.0 m).

Job Name: Job Number:	Model Numbers:
--	-----------------------

How to Build a Model Number: Hi-lume® A-Series

L3DA4U1U

Case Size:
K = Compact
M = Stick

Case Style:
S = Studded
(K case only)
N = Non-Studded

example: L3DA4U1UKS-HC070
For further assistance selecting your model number, contact our LED Center of Excellence at 1-877-346-5338 or LEDSD@lutron.com

Current Level (for Constant Current):
020 = 0.20 A; 021 = 0.21 A . . . 210 = 2.10 A
Voltage Level (for Constant Voltage):
100 = 10.0 V; 105 = 10.5 V . . . 600 = 60.0 V


Driver Output:
C = Constant current driver with pulse width modulation (PWM) dimming
A = Constant current driver with constant current reduction (CCR) dimming
V = Constant voltage driver with pulse width modulation (PWM) dimming

LED Load Output Range (see the following pages for more detail):

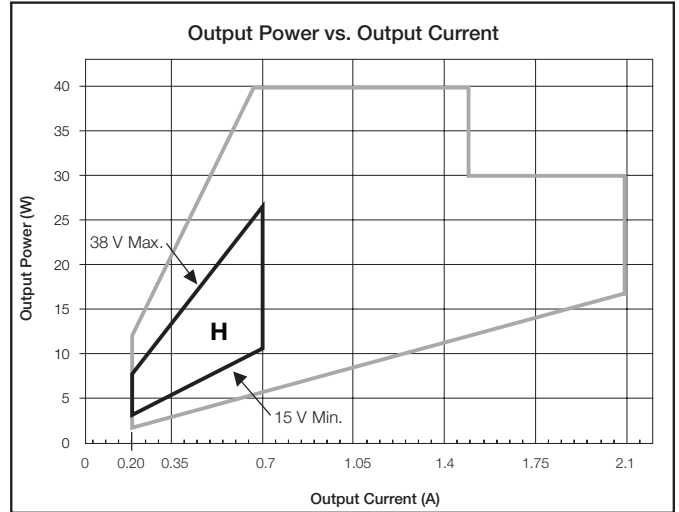
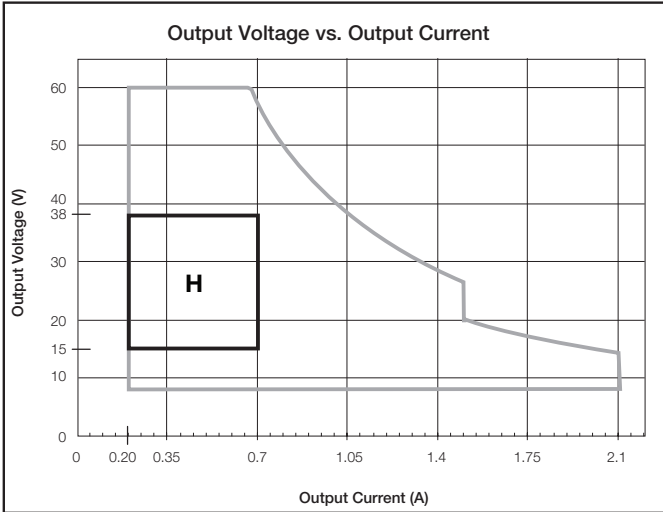
<u>Class 2 Constant Voltage</u>	<u>Class 2 Constant Current</u>	<u>Isolated Non-Class 2 Constant Current</u>
A = 10.0 V–12.0 V	E = 0.20 A–0.50 A 30 V–54 V	Y = 0.20 A–0.50 A 30 V–60 V
B = 12.5 V–20.0 V	F = 0.51 A–1.00 A 30 V–54 V	Z = 0.51 A–1.00 A 30 V–60 V
C = 20.5 V–24.0 V	G = 0.20 A–0.70 A 8 V–20 V	
D = 24.5 V–38.0 V	H = 0.20 A–0.70 A 15 V–38 V	
	I = 0.71 A–1.05 A 8 V–20 V	
<u>Isolated Non-Class 2 Constant Voltage</u>	J = 0.71 A–1.05 A 15 V–38 V	
X = 38.5 V–60.0 V	K = 1.06 A–1.50 A 8 V–20 V	
	L = 1.06 A–1.50 A 15 V–38 V	
	M = 1.51 A–2.10 A 8 V – 20 V	

Job Name:	Model Numbers:
Job Number:	

“H” Output Range, Current Driver Models

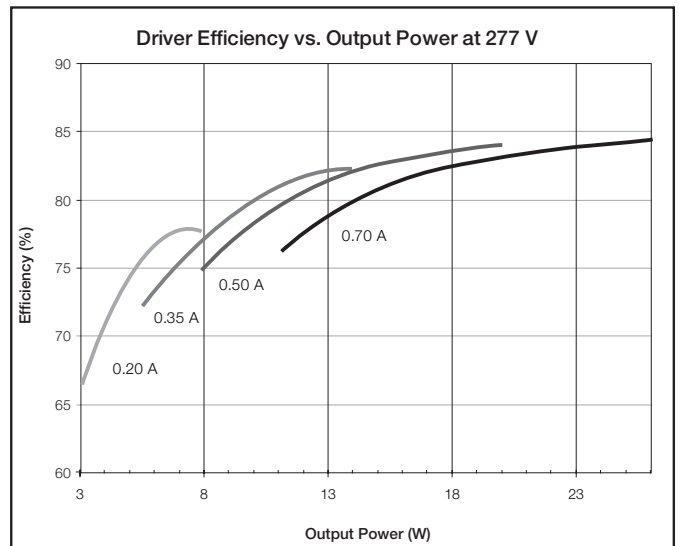
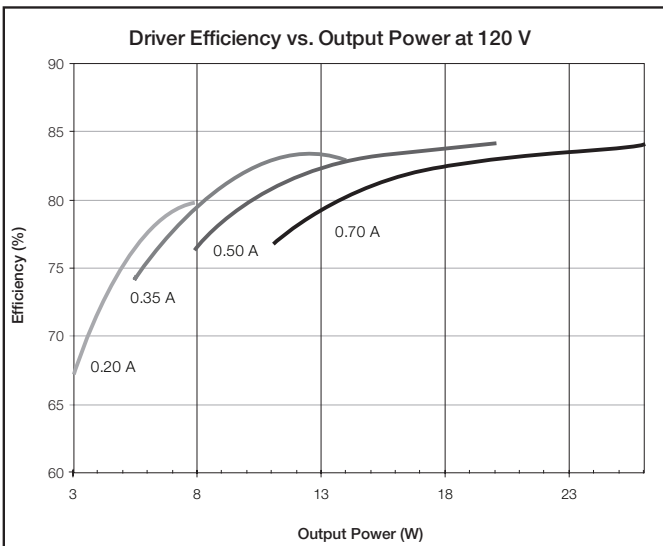
Driver Type	Output Dimming Method	Output Voltage	Output Current	Output Power	Standards Recognition
Constant Current Driver (Class 2)	Pulse Width Modulation (PWM) OR Constant Current Reduction (CCR)	15 – 38 V	0.20 – 0.70 A	3 – 26 W	

Current Driver Operation Range:



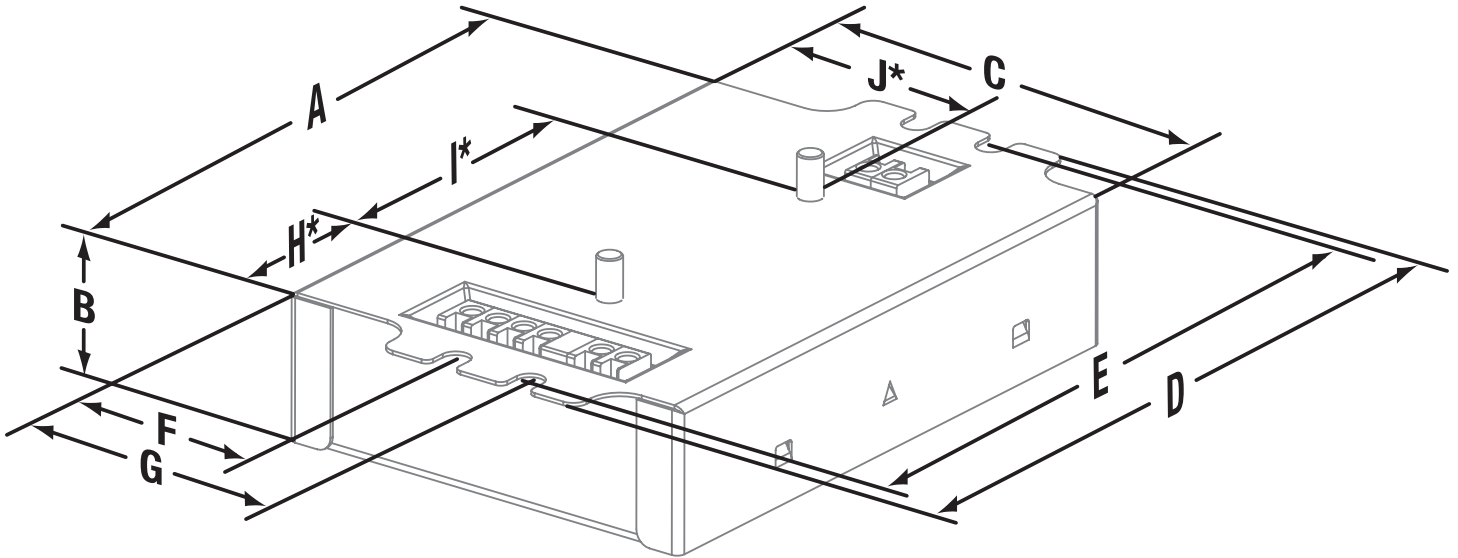
Typical Performance Specifications:

Parameter	120 V	240 V	277 V	Test Conditions
Input Current	270 mA	140 mA	120 mA	T _A = 25° C, 0.70 A, 26 W load, Max. Light Output, K enclosure
Power Factor	0.99	0.96	0.94	
THD	7%	10%	12%	
Driver Efficiency	84%	85%	85%	

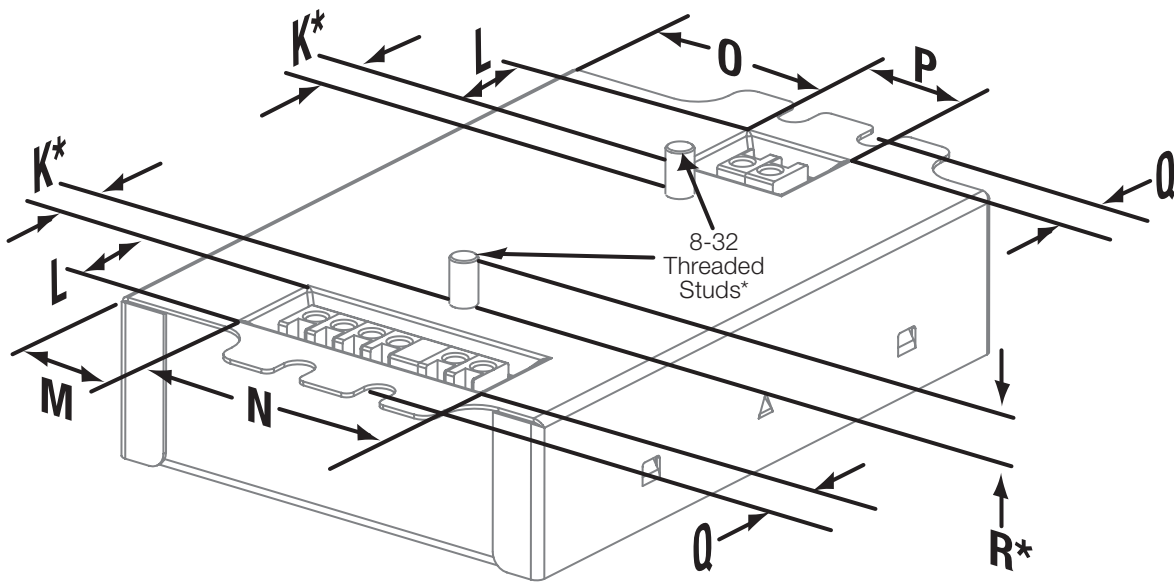


Job Name:	Model Numbers:
Job Number:	

K Case: Case Dimensions



K Case: Connector Location Dimensions

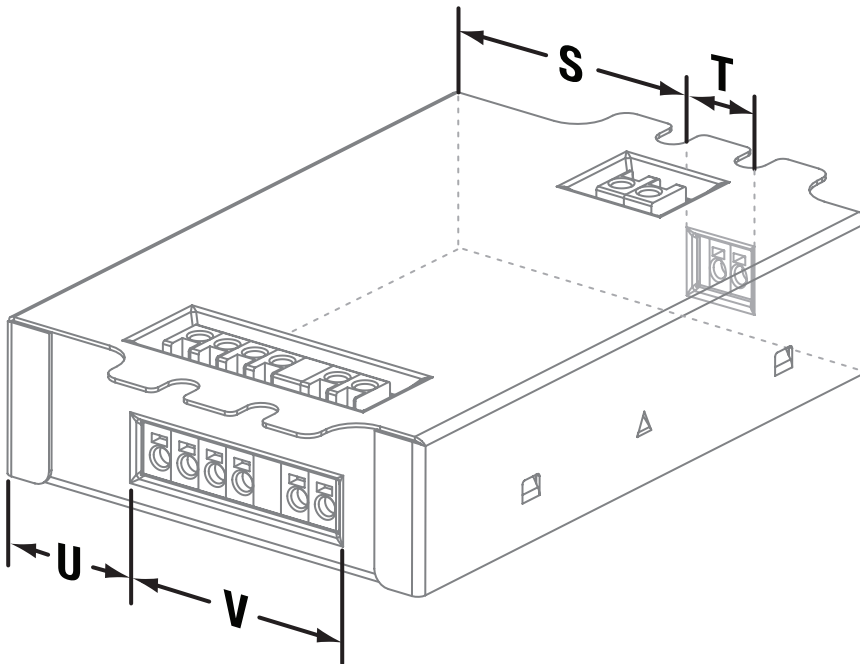


A	4.20 in (107 mm)	F	1.42 in (36 mm)	L	0.65 in (16.5 mm)	R*	0.29 in (7 mm)
B	1.00 in (25 mm)	G	1.99 in (51 mm)	M	0.75 in (19 mm)		
C	3.00 in (76 mm)	H*	1.11 in (28 mm)	N	1.73 in (44 mm)		
D	4.90 in (124 mm)	I*	2.00 in (51 mm)	O	1.33 in (34 mm)		
E	4.60 in (117 mm) (mounting center)	J*	1.60 in (41 mm)	P	0.74 in (19 mm)		
		K*	0.33 in (8.3 mm)	Q	0.32 in (8 mm)		

* Applies to studded K case only.

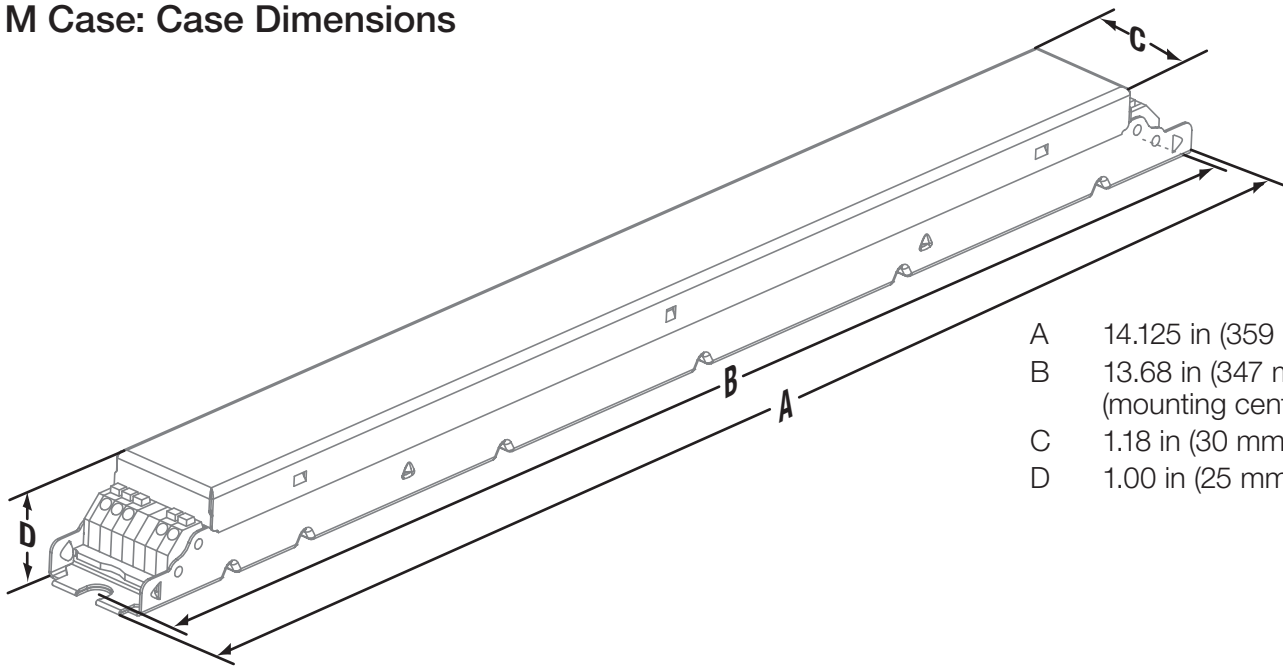
Job Name:	Model Numbers:
Job Number:	

K Case: Side Entry Connector Location Dimensions (Non-Studded)



- S 1.38 in (35 mm)
- T 0.64 in (16 mm)
- U 0.88 in (22 mm)
- V 1.53 in (39 mm)

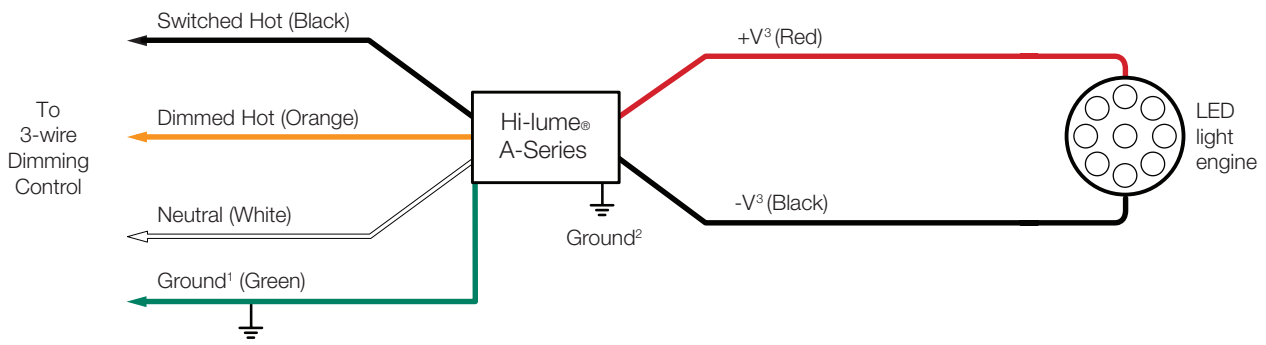
M Case: Case Dimensions



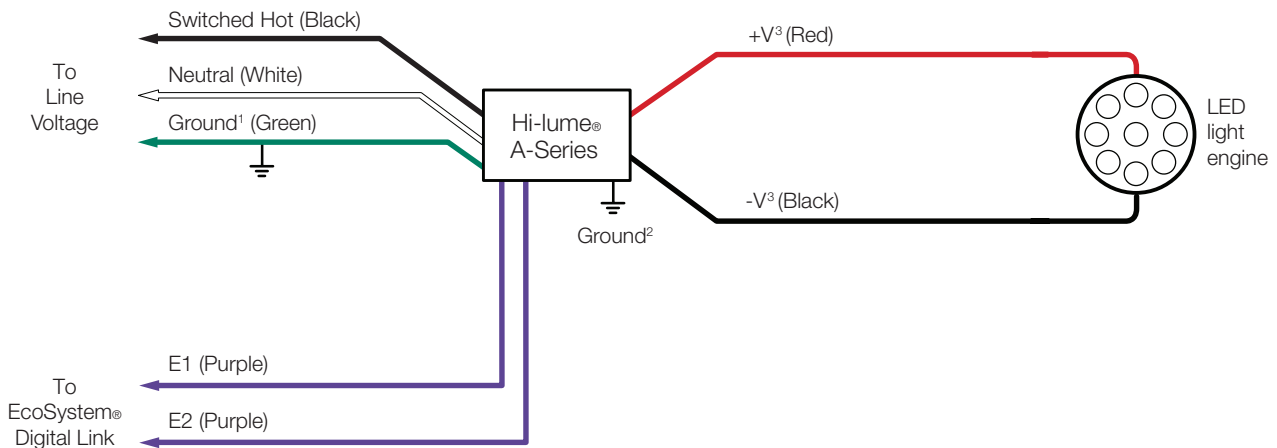
- A 14.125 in (359 mm)
- B 13.68 in (347 mm)
(mounting center)
- C 1.18 in (30 mm)
- D 1.00 in (25 mm)

Job Name:	Model Numbers:
Job Number:	

Wiring Diagram for 3-Wire Control



Wiring Diagram for EcoSystem® Digital Control



Note: Colors shown correspond to terminal blocks on driver.

- ¹ Ground wire connection available on K case models only.
- ² Fixture and driver case must be grounded in accordance with local and national electrical codes.
- ³ Maximum driver-to-LED light engine wire length is 10 ft (3.0 m).

Job Name:	Model Numbers:
Job Number:	

Compatible Controls

- Guaranteed performance specifications with the controls listed in the chart below.
- For assistance selecting controls, contact our LED Center of Excellence at 1-877-346-5338 or LEDSD@lutron.com

Product	Part Number		Fixtures per Control ¹		Measured Light Output Range
	120 V	277 V	120 V	277 V	
Nova T★®	NTF-10-	NTF-10-277-	1 – 41	1 – 44	100% – 1%
	NTF-103P-	NTF-103P-277-	1 – 20	1 – 33	100% – 1%
Nova®	NF-10-	NF-10-277-	1 – 41	1 – 44	100% – 1%
	NF-103P-	NF-103P-277-	1 – 20	1 – 33	100% – 1%
Vareo®	VF-10-		1 – 20	–	100% – 1%
Skylark®	SF-10P-	SF-12P-277-	1 – 20	1 – 33	100% – 1%
	SF-103P-	SF-12P-277-3	1 – 20	1 – 33	100% – 1%
Diva®	DVF-103P-	DVF-103P-277-	1 – 20	1 – 33	100% – 1%
	DVSCF-103P-	DVSCF-103P-277-	1 – 20	1 – 33	100% – 1%
Ariadni®	AYF-103P-	AYF-103P-277-	1 – 20	1 – 44	100% – 1%
Vierti®	VTF-6A-		1 – 15	1 – 33	100% – 1%
Maestro®	MAF-6AM-	MAF-6AM-277-	1 – 15	1 – 33	100% – 1%
	MSCF-6AM-	MSCF-6AM-277-	1 – 15	1 – 33	100% – 1%
Maestro Wireless®	MRF2-F6AN-DV-		1 – 15	1 – 33	100% – 1%
RadioTouch®	RTA-RX-F-		1 – 41	1 – 88	100% – 1%
Spacer System®	SPSF-6A-	SPSF-6A-277-	1 – 15	1 – 33	100% – 1%
	SPSF-6AM-	SPSF-6AM-277-	1 – 15	1 – 33	100% – 1%
Lyneo® Lx	LXF-103PL-	LXF-103PL-277-	1 – 20	1 – 33	100% – 1%
RadioRA® 2	RRD-F6AN-DV-		1 – 15	1 – 33	100% – 1%
HomeWorks® QS	HQRD-F6AN-DV		1 – 15	1 – 33	100% – 1%
Interfaces ²	PHPM-3F-120		1 – 41	–	100% – 1%
	PHPM-3F-DV		1 – 41	1 – 88	100% – 1%
	GRX-FDBI-16A		1 – 41	1 – 88	100% – 1%
PowPak™ dimming Module with EcoSystem	RMJ-ECO32-DV-B		32 per EcoSystem link		100% – 1%
Energi Savr Node™ with EcoSystem®	QSN-1ECO-S, QSN-2ECO-S		64 per EcoSystem link		100% – 1%
GRAFIK Eye® QS with EcoSystem®	QSGRJ-_E, QSGR-_E		64 per EcoSystem link		100% – 1%
Quantum®	Various		64 per EcoSystem link		100% – 1%

¹ Fixtures per Control value assumes a 40 W fixture. Number of fixtures may be higher if wattage is less than 40 W and may be lower if ganged. See control specification submittal sheet for details.

² For use with 3-wire controls or Commercial Systems, RadioRA® Systems or Home Systems applications.

NOTE: Contact Lutron Technical Support for derating rules when using wallbox controls on the Hi-lume® A-Series LED Driver in multi-gang applications.

For the list of compatible controls, visit lutron.com/HiLumeLED and select "EcoSystem/3-wire Control Report Card."

LUTRON® SPECIFICATION SUBMITTAL

Page

Job Name:	Model Numbers:
Job Number:	

EcoSystem® Wiring Diagrams

EcoSystem® Digital Link Overview

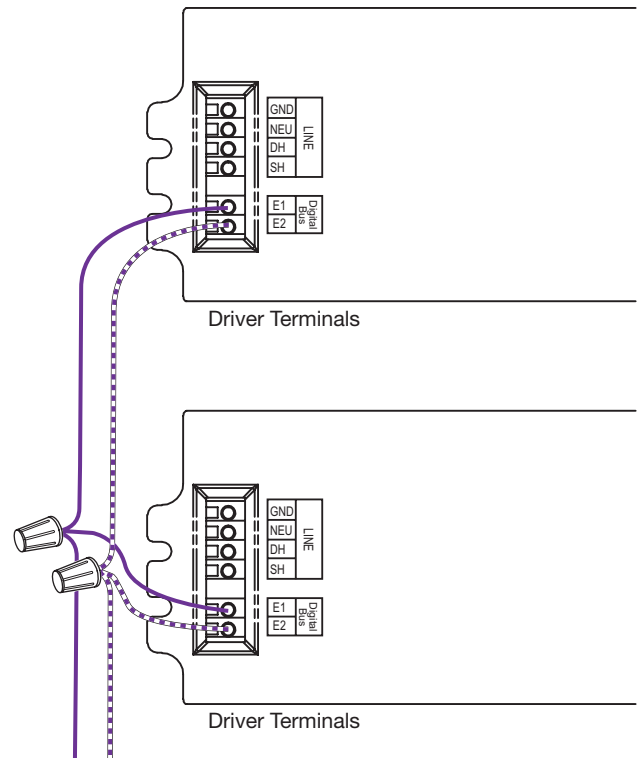
- The EcoSystem® Digital Link wiring (E1 and E2) connects the digital ballasts and drivers together to form a lighting control system.
- Each EcoSystem® Digital Link supports up to 64 digital ballasts, LED drivers or EcoSystem® Modules (e.g. C5-BMJ-16A, C5-XPJ-16A), 32 occupancy sensors (64 occupancy sensors with Energi Savr Node™ with EcoSystem®), 16 daylight sensors, and 64 wallstations or IR receivers.*
- Sensors do not directly connect to Hi-Lume® A-Series LED drivers.
- E1 and E2 (EcoSystem® digital link wires) are polarity insensitive and can be wired in any topology.
- An Energi Savr Node™ with EcoSystem® unit, GRAFIK Eye® QS control unit with EcoSystem®, PowPak™ dimming module with EcoSystem®, or Quantum® system provides power for the EcoSystem® Digital Link and supports system programming.*
- All EcoSystem® Digital Link programming is completed by using the Energi Savr App for *Apple iPad*, *iPod Touch* or *iPhone* mobile digital devices, GRAFIK Eye® QS with EcoSystem®, PowPak™ dimming module with EcoSystem®, or Quantum® System.

EcoSystem® Digital Link Wiring

- Driver EcoSystem® Digital Link terminals only accept one 18 to 16 AWG (0.75 to 1.5 mm²) solid copper wire per terminal.
- Make sure that the supply breaker to the Digital Driver and EcoSystem® Digital Link Supply is OFF when wiring.
- Connect the two conductors to the two Digital Driver terminals E1 and E2 as shown.
- Using two different colors for E1 and E2 will reduce confusion when wiring several drivers together.
- The EcoSystem® Digital Link may be wired Class 1 or IEC/PELV NEC® Class 2. Consult applicable electrical codes for proper wiring practices.

* PowPak™ dimming module with EcoSystem® provides power for the EcoSystem® Digital Link and can support 32 digital ballasts, LED drivers or EcoSystem® Modules, 6 Wireless Occupancy Sensors, 1 Wireless Daylight Sensor, and 9 Pico Wireless Controllers.

Apple, iPad, iPod Touch, and iPhone are trademarks of Apple Inc., registered in the U.S. and other countries.



To the EcoSystem® Digital Bus and additional drivers and/or ballasts

Notes

- The EcoSystem® Digital Link Supply does not have to be located at the end of the Digital Link.
- EcoSystem® Digital Link length is limited by the wire gauge used for E1 and E2 as follows:

Wire Gauge	Digital Link Length (max)
12 AWG	2200 ft
14 AWG	1400 ft
16 AWG	900 ft
18 AWG	550 ft

Wire Size	Digital Link Length (max)
4.0 mm ²	828 m
2.5 mm ²	517 m
1.5 mm ²	310 m
1.0 mm ²	207 m
0.75 mm ²	155 m

Job Name:	Model Numbers:
Job Number:	

ELECTRICIANS AND CONTRACTORS

Driver Leads

Maximum driver-to-LED light engine wire length is 10 ft (3.0 m).

Wiring and Grounding

Driver and lighting fixture must be grounded. Drivers must be installed per national and local electrical codes.

LED Load Replacement

For Class 2 rated drivers, the LED load can be changed while the driver is installed and powered.

Maximum Driver Operating Temperature

Driver case temperature (T_c) must not exceed UL conditions of acceptability in end product.

For 50,000 hour lifetime, driver case temperature (T_c) must not exceed 149 °F (65 °C).

FACILITIES MANAGERS

SERVICE

Warranty

For warranty information, please visit <http://www.lutron.com/TechnicalDocumentLibrary/Ballast%20and%20Driver%20Warranty.pdf>

Replacement Parts

When ordering Lutron® replacement parts please provide the full model number. Consult Lutron if you have any questions.

Further Information

For further information, please visit us at www.lutron.com/hilumeLED or contact our LED Control Center of Excellence at 1.877.346.5338 or LEDs@lutron.com

<p>Job Name:</p> <p>Job Number:</p>	<p>Model Numbers:</p>
--	-----------------------