

Specifications

Model Number:	10-1188
Input Voltage:	100 to 240v AC ±10%
Frequency:	50/60 Hz.
Lamp Types:	See Chart on Next Page
Certifications:	CSA / UL #E191525 / CE / RoHS
Size:	11-11/16" x 3-1/8" x 1-22/23"
Weight:	3.5 lbs.
Mounting:	Screw Holes on Mounting Tabs
Special Features:	Can Operate 1 or 2 Lamps



Ballast

White — Ground
Black — Ground
Green — Ground

POWER LED (+) — Orange
POWER LED (-) — Gray

Blue — LAMP 1 (+)
Red — LAMP 1 (-)
Yellow — LAMP 2 (+)
Brown — LAMP 2 (-)

Orange — LAMP 1 LED (+)
Gray — LAMP 1 LED (-)
Orange — LAMP 2 LED (+)
Gray — LAMP 2 LED (-)

U-Out=280v * @ 90°C
Ballast Case Must Be Grounded
Note: For 1-Lamp application, cap any unused leads; insulate to 600v.

1. Green (Ground)
2. Black (Lamp 1)
3. Red (Lamp 1)
4. NC
5. White (Neutral)
6. Gray (Power LED-)

1. NC
2. Blue (Lamp 1)
3. Red (Lamp 1)
4. NC
5. Yellow (Lamp 2)
6. NC
7. Brown (Lamp 2)
8. Gray (Lamp LED2)
9. Orange (Lamp LED1)
10. Gray (Lamp LED2)
11. Orange (Lamp LED1)
12. Orange (Lamp LED1)

Surelite™ 10-1188
ELECTRONIC BALLAST 100-240v AC 50/60 Hz

- Install per National and Local Electric Codes
- Disconnect power before servicing or replacing lamps
- Not for Current Interrupting

Multi-Voltage High Power Factor Electronic Instant Start Ballast
Lamps: (2/1) G36T5 (41W) – G64T5 (75W)
Input Voltage: 100-240v
Input Frequency: 50/60 Hz

Input Current: 1.8A @ 100v, 0.8A @ 240v
Power Factor: ≥ 0.95
Output Voltage: 280v

ATLANTIC ULTRAVIOLET CORPORATION
SINCE 1963
375 Marcus Boulevard, Hauppauge, NY 11788
(631) 273-0500 • Fax: (631) 273-0771
Email: Sales@AtlanticUV.com
UltraViolet.com • BuyUltraViolet.com

CE RoHS

1. Ground case in accordance with the National Electric Code.
2. Remote mounting distance varies with lamp type, consult factory with requirements.



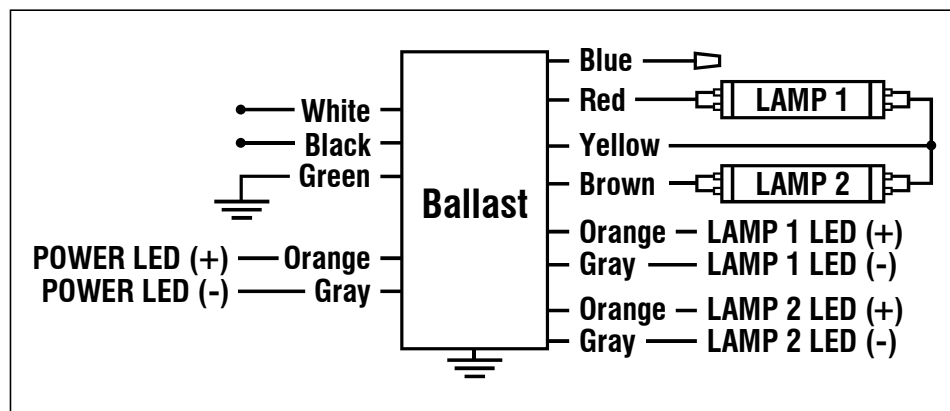
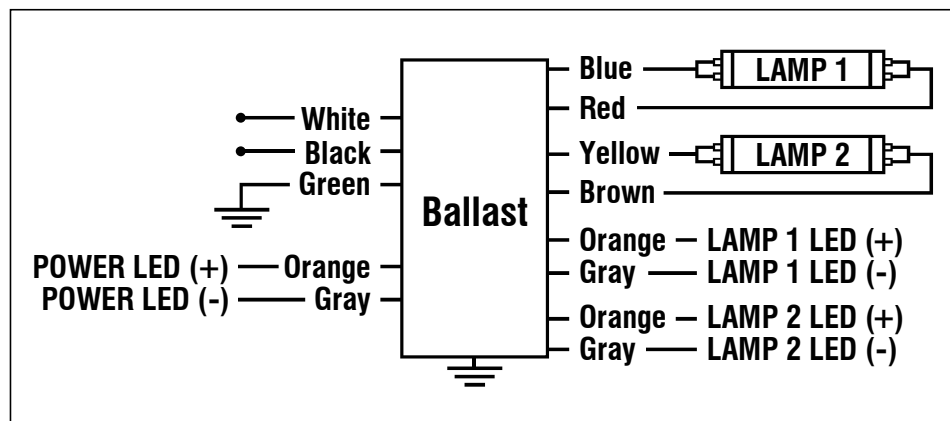
The information and recommendations contained in this publication are based upon data collected by the Atlantic Ultraviolet Corporation® and are believed to be correct. However, no guarantee or warranty of any kind, expressed or implied, is made with respect to the information contained herein. Specifications and information are subject to change without notice.

Lamp Types

GPH843T5
G36T5
G48T5
GPH15554T5
G64T5

This ballast may be acceptable for use with lamps not listed here. Contact us to discuss your requirement.

Connections



*For 3-wire output application, cap Blue lead and insulate to 600v.

Comparable wiring to discontinued ballast 10-1178.

For 1-lamp application, cap any unused leads and insulate to 600v.