



BR LED with AirFlux Technology

10,5BR30/F90 2700 DIM AF 6/1

Philips BR Dimmable LED Lamps with AirFlux technology provide a soft, diffused level of light and smooth dimming to reduce glare. The sleek, lightweight design is ideal for downlighting.

Product data

• General Characteristics

Cap-Base	E26
Bulb	BR30
Rated Avg. Life (Hours)	25000 hr

• Light Technical Characteristics

Color Code	WW
Color Designation	Warm White
Beam Angle	90 D
Correlated Color Temperature	2700 K
CRI	81
Luminous Efficacy Lamp	69.52 Lm/W
Color Temp. (Kelvin)	2700 K [CCT 2700K]
Rated Luminous Flux	730 Lm

• Electrical Characteristics

Wattage	10.5 W
Wattage Technical	10.5 W
Voltage	120 V
Line Frequency	60 Hz
Power Factor	0.9 -
Lamp Current mA	93 mA
Dimmable	Yes
Wattage Equivalent	65 W

Starting Time	0.5 (max) s
---------------	-------------

• Environmental characteristics

Energy consumption kWh/1000h	11 kWh
------------------------------	--------

• Measuring Conditions

Switching cycle	15000X
-----------------	--------

• Product Dimensions

Overall Length C	131 mm
Diameter D	95 mm

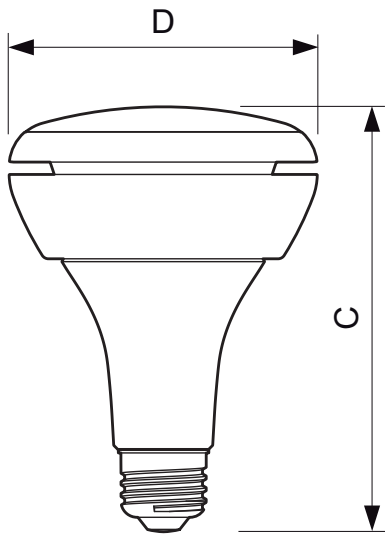
• Product Data

Product number	293878
Full product name	10,5BR30/F90 2700 DIM AF 6/1
Short product name	10.5BR30/F90 2700 DIM AF 6/1
Pieces per Sku	1
eop_pck_cfg	6
Skus/Case	6
Bar code on pack	46677293871
Bar code on case	50046677293876
Logistics code(s)	929000254404
eop_net_weight_pp	0.275 kg



PHILIPS

Dimensional drawing



10,5BR30/F90 2700 DIM AF 6/1



E26



© 2014 Koninklijke Philips N.V. (Royal Philips)
All rights reserved.

Specifications are subject to change without notice. Trademarks are the property of Koninklijke Philips N.V. (Royal Philips) or their respective owners.

www.philips.com/lighting

2014, November 29
data subject to change