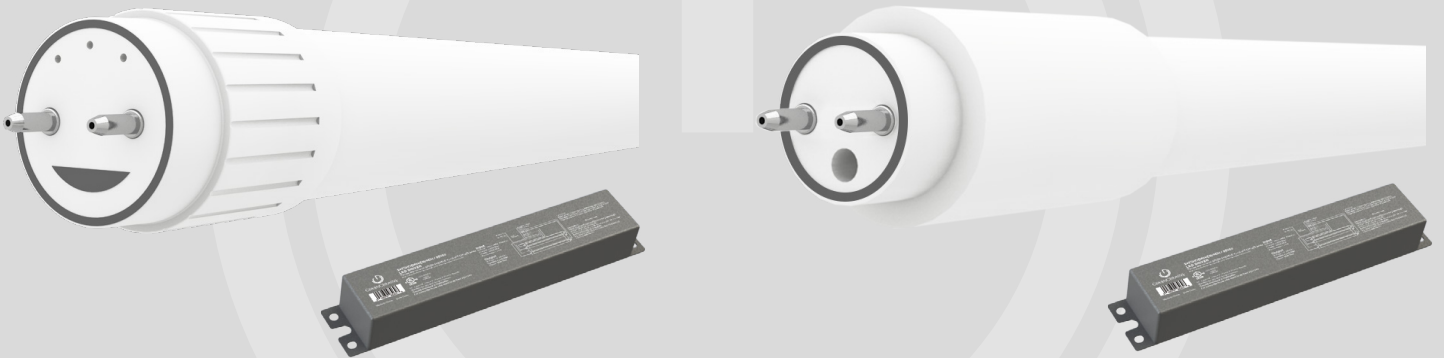




GREENCREATIVE

Your Partner for Professional Lighting Solutions



T8 / T5 EXT SERIES

FEATURES

- T8 tube – 2' / 3' / 4' / Ubent
- T5HE tube – 2' / 3' / 4'; T5HO tube – 4'
- CCT: 3000K, 3500K, 4000K, 5000K
- Glass construction for T8 tube
- Plastic construction for T5 tube
- Working temperature: -4°F / -20°C - 95°F / 35°C
- Suitable for enclosed fixture
- Compatible with shunted and non-shunted sockets
- Integrates into 0-10V control systems, supports compliance to commercial building codes such as Title 24, ASHRAE 90.1, and IECC
- UL damp location
- 50,000h lifetime
- 5 years warranty
- DLC® Listed
- UL Class P listed driver
- UL Class 2 listed driver, reduced safety hazards vs line voltage solutions



OFFICE



WHAT IS THE DIFFERENCE BETWEEN UL TYPE A, B, C TUBES

UL type	Type A – DIR LED tube operates on existing FL ballast	Type B – BYP/DEB LED tube with internal driver	Type C - EXT LED tube with ext driver as a retrofit kit
Cost	Low initial cost No rewiring required High maintenance cost	Medium initial cost Rewiring required Medium maintenance cost	Medium initial cost Rewiring required Low maintenance cost
Compatibility	Refer to ballast compatibility list before installation	N/A	N/A
System Efficiency	Good Dependent on ballast used	Best	Best
Controls	Dependent on ballast used	On/Off only	0-10V Dimming Easy to be integrated to controls
Recommended Application	General office lighting	General office lighting	Classrooms, Offices, Medical, and applications that require a high degree of control

PERFORMANCE

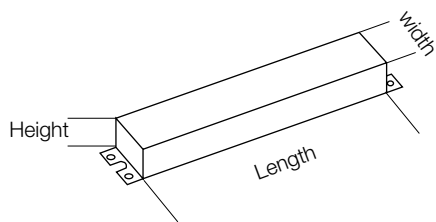
Lamp Information			98259				98259			
			15T8T5HEDRIVER/2CH/R				15T8T5HEDRIVER/4CH/R			
			1 Lamp		2 Lamps		3 Lamps		4 Lamps	
Product	Model	CCT	Wattage*	Lumens	Wattage*	Lumens	Wattage*	Lumens	Wattage*	Lumens
98325	9.5T8/2F/830/EXT	3000K	11	1350	22	2700	33	4050	44	5400
98326	9.5T8/2F/835/EXT	3500K	11	1400	22	2800	33	4200	44	5600
98327	9.5T8/2F/840/EXT	4000K	11	1500	22	3000	33	4500	44	6000
98328	10.5T8/3F/830/EXT	3000K	12.5	1450	25	2900	37.5	4350	50	5800
98329	10.5T8/3F/835/EXT	3500K	12.5	1500	25	3000	37.5	4500	50	6000
98330	10.5T8/3F/840/EXT	4000K	12.5	1600	25	3200	37.5	4800	50	6400
98331	11.5T8/4F/830/EXT	3000K	13	1600	26	3200	39	4800	52	6400
98332	11.5T8/4F/835/EXT	3500K	13	1650	26	3300	39	4950	52	6600
98333	11.5T8/4F/840/EXT	4000K	13	1700	26	3400	39	5100	52	6800
98334	11.5T8/4F/850/EXT	5000K	13	1700	26	3400	39	5100	52	6800
98335	14T8/4F/840/EXT	4000K	16	2050	32	4100	48	6150	64	8200
98336	14T8/4F/850/EXT	5000K	16	2050	32	4100	48	6150	64	8200
98337	14.5T8U6/830/EXT	3000K	17	2000	34	4000	51	6000	68	8000
98338	14.5T8U6/840/EXT	4000K	17	2200	34	4400	51	6600	68	8800
98339	14.5T8U6/850/EXT	5000K	17	2200	34	4400	51	6600	68	8800

Lamp Information			98259				98259			
			15T8T5HEDRIVER/2CH/R				15T8T5HEDRIVER/4CH/R			
			1 Lamp		2 Lamps		3 Lamps		4 Lamps	
Product	Model	CCT	Wattage*	Lumens	Wattage*	Lumens	Wattage*	Lumens	Wattage*	Lumens
98306	9.5T5HE/2F/830/EXT	3000K	12	1350	24	2700	36	4050	48	5400
98307	9.5T5HE/2F/835/EXT	3500K	12	1400	24	2800	36	4200	48	5600
98308	9.5T5HE/2F/840/EXT	4000K	12	1500	24	3000	36	4500	48	6000
98309	11T5HE/3F/830/EXT	3000K	13	1500	26	3000	39	4500	52	6000
98310	11T5HE/3F/835/EXT	3500K	13	1550	26	3100	39	4650	52	6200
98311	11T5HE/3F/840/EXT	4000K	13	1650	26	3300	39	4950	52	6600
98312	13.5T5HE/4F/830/EXT	3000K	15	1800	30	3600	45	5400	60	7200
98313	13.5T5HE/4F/835/EXT	3500K	15	1850	30	3700	45	5550	60	7400
98314	13.5T5HE/4F/840/EXT	4000K	15	2000	30	4000	45	6000	60	8000

Lamp Information			98261				98262			
			24T5HODRIVER/2CH/R				24T5HODRIVER/4CH/R			
			1 Lamp		2 Lamps		3 Lamps		4 Lamps	
Product	Model	CCT	Wattage*	Lumens	Wattage*	Lumens	Wattage*	Lumens	Wattage*	Lumens
98321	22T5HO/4F/830/EXT	3000K	26	3200	52	6400	78	9600	104	12800
98322	22T5HO/4F/835/EXT	3500K	26	3200	52	6400	78	9600	104	12800
98323	22T5HO/4F/840/EXT	4000K	26	3400	52	6800	78	10200	104	13600
98324	22T5HO/4F/850/EXT	5000K	26	3400	52	6800	78	10200	104	13600

* System Wattage

EXTERNAL DRIVER DIMENSION DRAWING



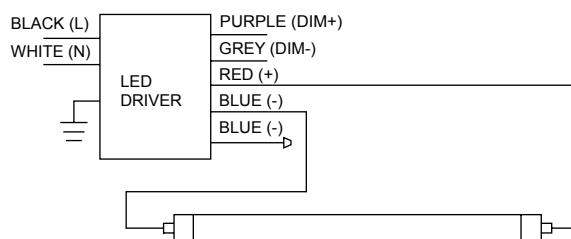
Product	Length	Width	Height
98259, 98260, 98261	9.5" / 241mm	1.3" / 33mm	1.2" / 30mm
98262	9.5" / 241mm	1.75" / 40mm	1.2" / 30mm

EXTERNAL DRIVER INSTALLATION

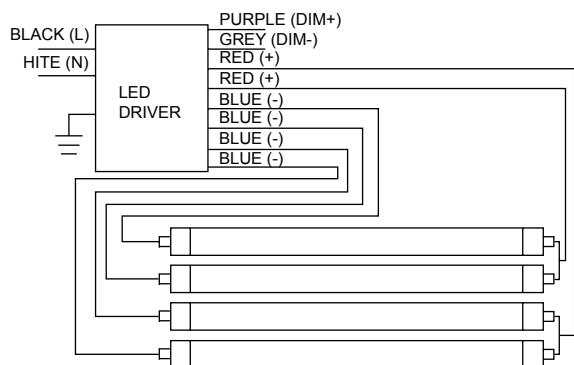
Double-ended Installation

- For shunted & non-shunted lamp holders
- Not polarity sensitive, lamps can be wired at either end

1 LAMP



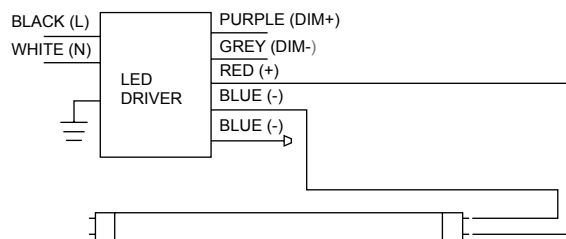
4 LAMPS



Single-ended Installation

- For non-shunted lamp holders only
- Not polarity sensitive, lamps can be wired at either end

1 LAMP



4 LAMPS

