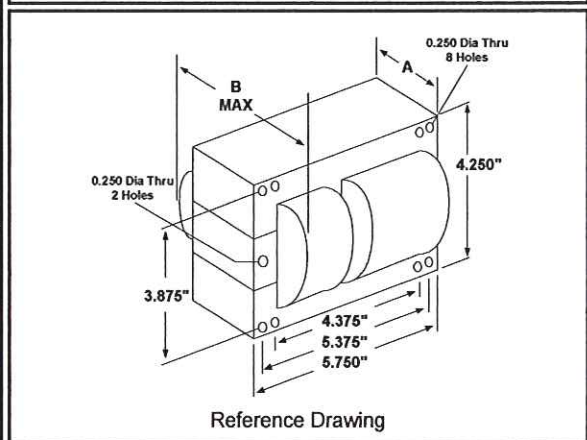
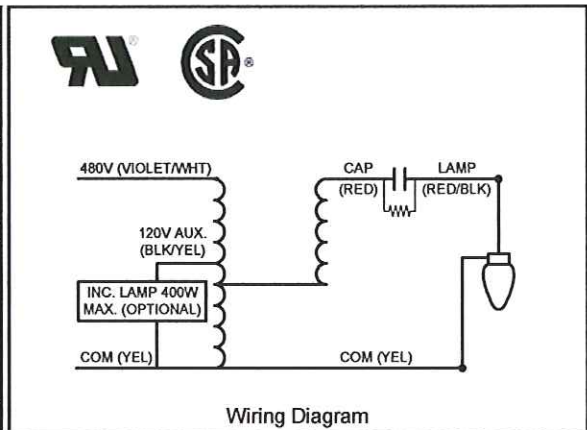


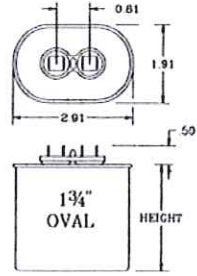
## Specification Sheet

|                                     |             |  |  |  |
|-------------------------------------|-------------|--|--|--|
| <b>Input Volts</b>                  | 480         |  |  |  |
| <b>Regulation</b>                   |             |  |  |  |
| Line Volts                          | ±10%        |  |  |  |
| Lamp Watts                          | ±10%        |  |  |  |
| Power Factor (min)                  | 90%         |  |  |  |
| Input Watts                         | 1080 W      |  |  |  |
| NOM. Open Circuit Voltage           | 410 V       |  |  |  |
| <b>Line Current (Amps)</b>          |             |  |  |  |
| Operating                           | 2.30        |  |  |  |
| Open Circuit                        | 1.55        |  |  |  |
| Starting                            | 1.40        |  |  |  |
| Recommended Fuse (Amps)             | 6           |  |  |  |
| Lamp Dropout Voltage (Line)         | 320 V       |  |  |  |
| <b>UL Temperature Ratings</b>       |             |  |  |  |
| Insulation Class                    | H (180°C)   |  |  |  |
| Temperature Code                    | D           |  |  |  |
| MIN. Starting Temperature           | -22°F -30°C |  |  |  |
| <b>CAPACITOR Specifications</b>     |             |  |  |  |
| Microfarads                         | 24 uf       |  |  |  |
| Volts (min.)                        | 480 V       |  |  |  |
| <b>60Hz Test Procedures</b>         |             |  |  |  |
| High Potential Test 1 Minute        | 2000 V      |  |  |  |
| High Potential Test 1 Second        | 2500 V      |  |  |  |
| Secondary Open Ckt Voltage (V)      | 365 - 455   |  |  |  |
| Secondary Current Shorted (A)       | 4.80 - 5.85 |  |  |  |
| Input Operating Current (A)         | 2.05 - 2.55 |  |  |  |
| Input Open Circuit Current (A)      | 0.75 - 2.20 |  |  |  |
| Input Short Circuit Current (A)     | 1.00 - 1.60 |  |  |  |
| <b>Core and Coil Specifications</b> |             |  |  |  |
| Dimension A                         | 2.85 in     |  |  |  |
| Dimension B                         | 4.75 in     |  |  |  |
| Weight                              | 22.0 lbs    |  |  |  |
| Lead Lengths (inches)               | 12-14       |  |  |  |
| Coil Material (Pri. / Sec.):        | Cu / Al     |  |  |  |



**Capacitor: 005-2779-MF**      **Ignitor: None**

Temp Rating: 90 °C  
 Height: 3.90 in  
 Width / Diameter: 2.91 in



**This Ballast does not require a Ignitor**

For alternate capacitor construction consult sales

|                     |              |
|---------------------|--------------|
| Document #:         | 010-11771-01 |
| Date:               | 2/18/2008    |
| Status:             | Production   |
| Replaces Catalog #: | New Design   |

Data is based upon tests performed by Universal Lighting Technologies in a controlled environment and is representative of relative performance. Actual performance may vary depending on operating conditions. Specifications are subject to change without notice.