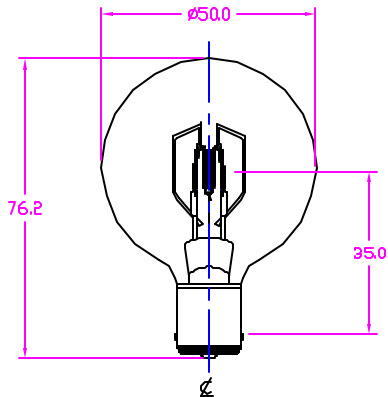


REVISIONS			
REV	DESCRIPTION	DATE	APPROVED



NOTES:

1. ALL DIMENSIONS ARE IN MM UNLESS OTHERWISE SPECIFIED.
2. SEAL TEM: SHOULD BE MAINTAINED BELOW 350°C.
3. THE DIMENSIONS AND SPECIFICATIONS OF PRODUCT LISTED IN THIS SHEET ARE SUBJECT TO CHANGE WITHOUT NOTICE FOR IMPROVEMENT.

ITEM	QTY	DESCRIPTION	CODE IDENT	PART NUMBER	REMARKS
<b>LIST OF MATERIALS</b>					
UNLESS OTHERWISE SPECIFIED DIMENSIONS ARE IN INCHES DECIMALS .X ± - .XX ± .XXX ±		CONTRACT NO.		<b>USHIO AMERICA, INC.</b> 10550 Comdan Dr. Cypress, CA 90630	
ANGLES DRILLED HOLES PER AND 10387 REMOVE BURRS AND SHARP EDGES ALL DIMENSIONS AFTER PLATING		APPROVALS			
MATERIAL <b>COMPOSITE</b>		DATE		TITLE <b>SM-100G16.5/29/DC SCIENTIFIC MEDICAL LAMP</b>	
FINISH		DRAWN <b>R.AMPARO</b>			
APPLICATION		ENGR <b>D.GILCZYNSKI</b>		DATE <b>03/06/00</b>	
		MGR		SIZE	
		QUAL		CODE IDENT NOS	
		DRGN ACTVY		8000042	
		DVT ACTVY		SCALE	
				NONE	
				WEIGHT	
				SHEET	
				1 OF 1	

CHARACTERISTICS	
RATED VOLTAGE	120 V
WATTAGE	100 W
BASE TYPE	BA13d
TOTAL LUMENS	1000 Lm
AVERAGE LIFE	200 HR9
SHAPE	G-14 3/4
FILAMENT TYPE	CC-13
BULB FINISH	CLEAR

NEXT ASSY	USED ON