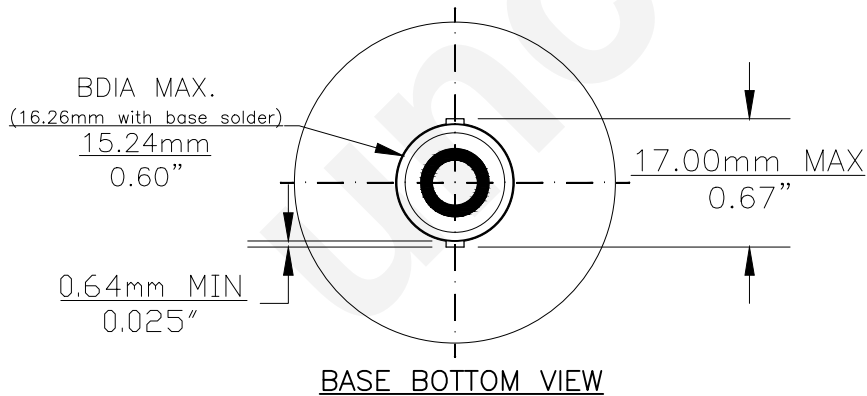
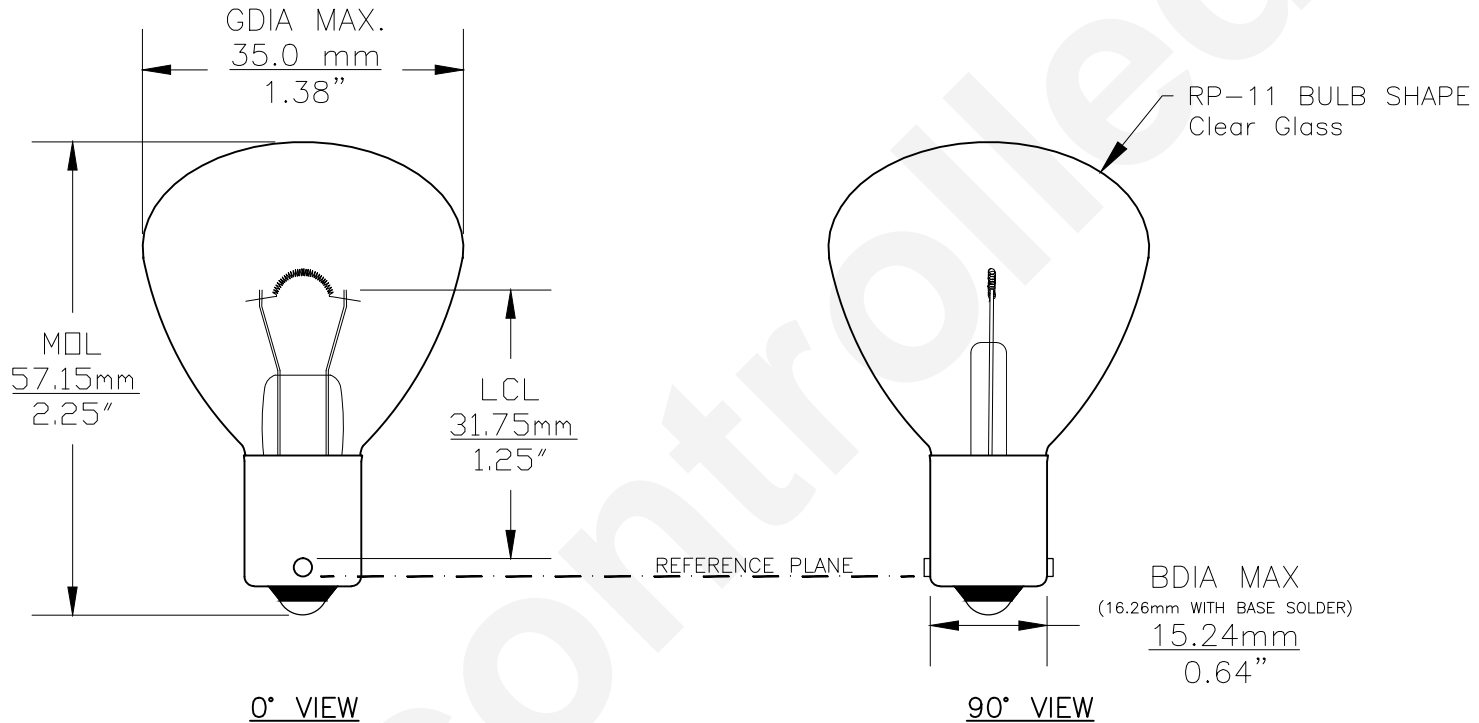




Since 1959

PART NO.	BASE TYPE	DESIGN VOLTS	DESIGN AMPS	MSCD	FILAMENT TYPE	AVERAGE LIFE HOURS	REVISIONS			
							REV #	DESCRIPTION	DATE	APPROVED
1133	S.C. Bayonet (BA15s)	6.2V	3.91±15%	32 ±20%	C-2R	200	1	ISSUED	11/04/2014	R.M.



Note: Made according to SAE specifications



UNLESS OTHERWISE SPECIFIED: DIMENSIONS ARE IN INCHES TOLERANCES		CEC INDUSTRIES LTD			
DECIMALS	ANGULAR	599 BOND STREET		LINCOLNSHIRE, IL 60069	
.XX ± .05	± 0.5°	TITLE LIGHT BULB NO. 1133			
.XXX ± .010	± 1/64	SIZE A	FSCM NO.	DWG NO. 1133	REV 1
FRACTIONAL		DESIGN	SCALE	PLOT SCALE	SHEET 1 OF 1
		MATERIAL	FILE 1133.pdf	DRAWING NOT TO SCALE	