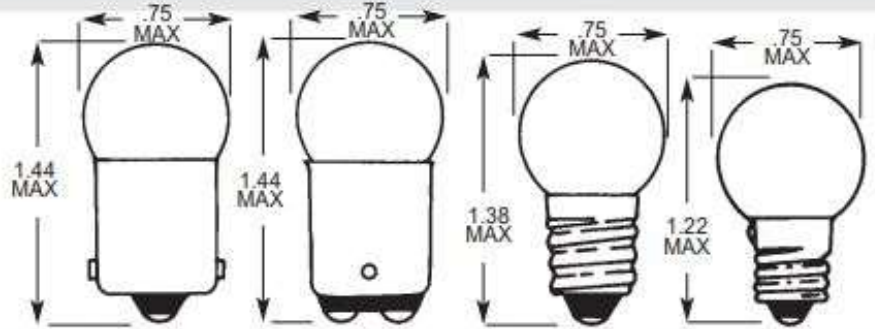




G-6 MINIATURE LAMPS

* Specifications for Second Filament



LINE NO.	VOLTS	AMPS	MSCP (W)	LIFE	FILAMENT	Single Contact Bayonet	Double Contact Bayonet	Candelabra Screw	Miniature Screw
1	3.45	0.84	2.0	250	C-2R	61			
2	4.00	1.75	(7.0)	100	C-2R		80 (11-170)		
3	5.80	1.10	8.1	50	C-2R				157
4	5.80	1.10	7.9	50	C-2R				153
5	6.50	1.02	6.0	500	C-2R	81	82	81K	
6	7.00	0.63	3.0	1,000	C-2R	63	64	63K	
7	12.00	0.26	2.3	250	C-2V			1471	
8	13.00	0.53	6.0	750	C-2R			89K	
9	13.00	0.58	6.0	750	C-2R	89	90		
10	13.50	0.59	4.0	5,000	C-2R		68		
11									
12	13.50	0.59	4.0	5,000	C-2R	1155			
	13.50	0.59	4.0	5,000	C-2R	*			
13	13.50	0.41	4.0	1,500	C-2R			67K	
14	13.50	0.59	4.0	5,000	C-2R	67			
15	13.50	0.69	4.0	5,000	C-2V	97	1178 (96)		
16	13.50	0.74	(10)	750	C-2R	R10W			
17	14.00	0.63	6.0	1,000	C-2R	631	632		
	14.00	0.63	6.0	1,000	C-2R	*	*		
18									
19	22.00	0.18	3.0	200	C-2V	71	72	71K	
20	24.00	0.18	2.8	1,000	C-2F	509		509K	
21	28.00	0.23	3.0	2,000	C-2V	1251	1252		
	28.00	0.23	3.0	2,000	C-2V	*	*		
22	28.00	0.30	6.0	500	C-2F	303	304		
23	28.00	0.37	6.0	1,000	C-2V	623	624		
	28.00	0.37	6.0	1,000	C-2V	*	*		
24	32.00	0.16	4.0	200	C-2F			1224K	
25	34.00	0.16	3.8	275	C-2F	1223	1224		
26	45.00	0.20	5.2	1,500	C-2F		536		
27	120.00	0.042	(5.0)	2,500	C-5A			5G6-120V-CS	