

Single Meter Sockets - With Safety Socket Bypass

100 & 200 Amp



117TB (closed)



117TB (open)

Application

- Safety socket bypass (test block bypass) under separate cover
- Receive ANSI C12.10 watt-hour meters
- Surface mount

Construction

- Ring type
- NEMA Type 3R
- ANSI 61 gray painted finish
- Aluminum snap ring included



Standards

- UL 414 Listed
- ANSI C12.7
- EUSERC 304 & 305

Accessories

- 5th Jaw Kit - 50371
- Bussed Gutters - see page 50
- AW Hubs

Single Meter Sockets
With Safety Socket Bypass

Part/UPC Number	Catalog Number	Amp Rating	Jaws	Service Type	Access	Bypass	Connections		
							Line	Load	Neutral
78205147005	114 TB *	100	4	1Ø/3W	OH/UG	TB	#14 - 2/0	14 - 2/0	#14 - 1/0
78205147025	115 TB *	100	5	3Ø/3W	OH/UG	TB	#14 - 2/0	14 - 2/0	#14 - 1/0
78205147030	117 TB *	100	7	3Ø/4W	OH/UG	TB	#14 - 2/0	14 - 2/0	#14 - 1/0
78205159005	124 TB **	200	4	1Ø/3W	OH/UG	TB	#6 - 250 MCM	#6 - 250 MCM	1/0 - 250 MCM
78205159025	125 TB **	200	5	3Ø/3W	OH/UG	TB	#6 - 250 MCM	#6 - 250 MCM	1/0 - 250 MCM
78205159035	127 TB **	200	7	3Ø/4W	OH/UG	TB	#6 - 250 MCM	#6 - 250 MCM	1/0 - 250 MCM

Part/UPC Number	Catalog Number	Overall Dimensions			Top Provision	Knockout Layout
		Height	Width	Depth		
78205147005	114 TB *	24"	12"	4 ⁵ / ₈ "	AW Hub	Fig. 1
78205147025	115 TB *	24"	12"	4 ⁵ / ₈ "	AW Hub	Fig. 1
78205147030	117 TB *	24"	12"	4 ⁵ / ₈ "	AW Hub	Fig. 1
78205159005	124 TB **	30"	14"	6"	AW Hub	Fig. 2
78205159025	125 TB **	30"	14"	6"	AW Hub	Fig. 2
78205159035	127 TB **	30"	14"	6"	AW Hub	Fig. 2

* 100 Amp units compliant with EUSERC 304

** 200 Amp units compliant with EUSERC 305

Data subject to change without notice. Consult local utility for area acceptance. All dimensions are in inches.

Single Meter Sockets - With Safety Socket Bypass

100 & 200 Amp

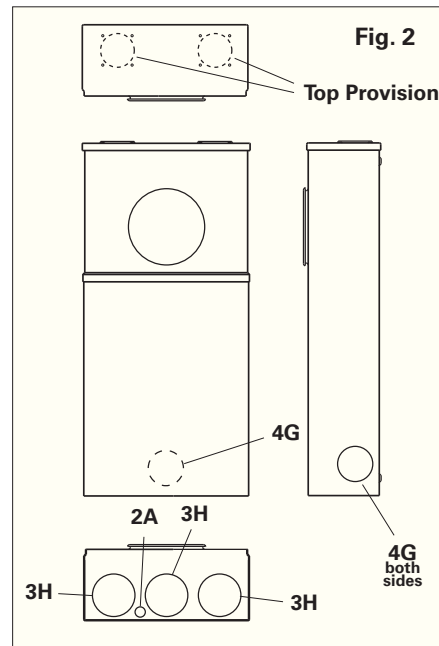
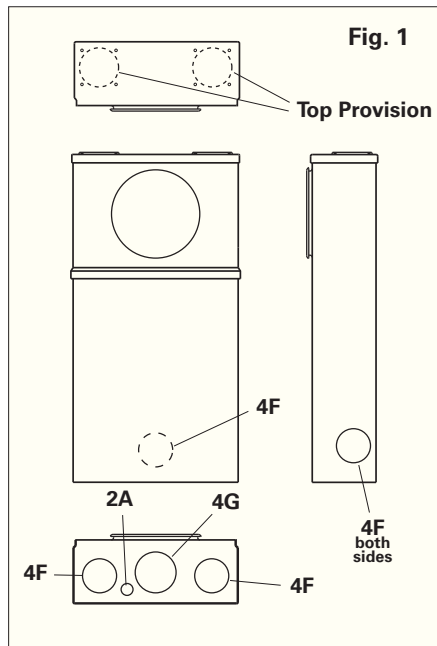
Style #	Suffixes
114 TB	F - Flush Mount
115 TB	MS20 - Ring Protector
117 TB	MS28 - Barriers on both sides of test block
124 TB	SS - Stainless Steel 304 *
125 TB	SS6 - Stainless Steel 316 *
127 TB	

Knockouts - Conduit Sizes

2A = 1/2" - 1/4"
 4F = 2" - 1 1/2" - 1 1/4" - 1"
 4G = 2 1/2" - 2" - 1 1/2" - 1 1/4"
 3H = 3" - 2 1/2" - 2"
 Top Provision = See Chart

* Knockouts and top provisions are not available in Stainless Steel (SS) finish

Knockout Layouts



Single Meter Sockets
 With Safety Socket Bypass

Data subject to change without notice. Consult local utility for area acceptance. All dimensions are in inches.