

# PLD E 409 W 350 MS - LED enclosure light



1319573

<https://www.phoenixcontact.com/us/products/1319573>

Please be informed that the data shown in this PDF document is generated from our online catalog. Please find the complete data in the user documentation. Our general terms of use for downloads are valid.



LED enclosure light, 24 V AC/DC ... 240 V AC/DC, length: 350 mm, degree of protection: IP20, can be swiveled ( $\pm 90^\circ$  swivel range), with motion detector, including mounting accessories

## Product description

The LED light is designed to illuminate the interior of control cabinets. The prismatic integrated into the light cover ensures optimum illumination of the control cabinet. You can use magnets or screws to affix the light holder. The light can swivel in the holder. Connect the supply voltage to the light via Push-in connection. You do not require special connectors for this. You can connect several lights in succession. A button is used to switch the light on and off.

## Your advantages

- Series connection reduces cabling effort for control cabinets arranged in series
- Optimum lighting of the control cabinet, thanks to integrated prismatics and capacity to swivel
- Wide range input 24 V AC/DC ... 240 V AC/DC
- Extended temperature range of  $-25^\circ\text{C}$  ...  $+70^\circ\text{C}$  (at 24 V DC)
- LED service life of 50,000 h (L70 value) prevents bulb replacement

## Commercial data

|                                      |               |
|--------------------------------------|---------------|
| Item number                          | 1319573       |
| Packing unit                         | 1 pc          |
| Minimum order quantity               | 1 pc          |
| Sales key                            | DR08          |
| Product key                          | DRL232        |
| GTIN                                 | 4063151604172 |
| Weight per piece (including packing) | 232.2 g       |
| Weight per piece (excluding packing) | 150 g         |
| Customs tariff number                | 94054231      |
| Country of origin                    | DE            |

# PLD E 409 W 350 MS - LED enclosure light



1319573

<https://www.phoenixcontact.com/us/products/1319573>

## Technical data

### Product properties

|                    |  |
|--------------------|--|
| Product type       | Control cabinet lighting                       |
| Application        | Control cabinet                                |
| Mounting position  | any  |
| Special properties | 24 V AC/DC ... 240 V AC/DC                     |
|                    | can be swiveled ( $\pm 90^\circ$ swivel range) |
|                    | with motion detector                           |
|                    | including mounting accessories                 |
| Socket type        | No socket                                      |

### Electrical properties

Supply: Module electronics

|                      |  |
|----------------------|--|
| Connection method    | Push-in connection                                   |
| Number of positions  | 2  |
| Supply voltage range | 24 V AC/DC ... 240 V AC/DC $\pm 5\%$ (50/60 Hz (AC)) |
| Power consumption    | 6 W  |

### Connection data

|   |  |
|---|--|
| Connection method   | Push-in connection   |
| Conductor cross section, rigid  | 0.13 mm <sup>2</sup> ... 1.5 mm <sup>2</sup>               |
| Conductor cross section, flexible                                     | 0.13 mm <sup>2</sup> ... 1.5 mm <sup>2</sup>               |
| Conductor cross section AWG   | 24 ... 16  |
| Conductor cross section, flexible, with ferrule, with plastic sleeve  | 0.5 mm <sup>2</sup> ... 0.75 mm <sup>2</sup> (DIN 46228-4) |
| Conductor cross section flexible, with ferrule without plastic sleeve | 0.5 mm <sup>2</sup> ... 1.5 mm <sup>2</sup> (DIN 46228-1)  |
| Stripping length  | 10 mm  |

### Signaling

Motion detector

|                   |                      |
|-------------------|----------------------|
| Detection range   | max. 5 m             |
| Detection angle   | 100 °                |
| Lighting duration | 5 min. (Retriggered) |

Light properties

|                       |                               |
|-----------------------|-------------------------------|
| Source of light type  | LED                           |
| Number of LEDs        | 18                            |
| Color temperature     | 5000 K                        |
| Color rendering index | 85                            |
| Luminous flux         | 700 lm (Net luminous flux)    |
| Illumination          | max. 1200 lx (50 cm distance) |
|                       | max. 450 lx (Distance of 1 m) |

# PLD E 409 W 350 MS - LED enclosure light



1319573

<https://www.phoenixcontact.com/us/products/1319573>

|                         |  |
|-------------------------|--|
| Ordinance               | Delegated Regulation (EU) 2019/2015                              |
| Energy efficiency class | D (1 light source)   |
| Note                    | This product contains an energy efficiency class D light source. |

## Dimensions

|                     |                        |
|---------------------|------------------------|
| Dimensional drawing |                        |
| Width               | 39 mm                  |
| Height              | 45 mm                  |
| Length              | 350 mm                 |
| Note on dimensions  | Without mounting clips |

## Material specifications

|             |                         |
|-------------|-------------------------|
| Color       | traffic grey A RAL 7042 |
| Material () | Polycarbonate (Housing) |

## Environmental and real-life conditions

### Ambient conditions

|  |   |
|--|---|
| Ambient temperature (operation)          | -25 °C ... 60 °C (Standard applications and applications with UL approval)<br>-25 °C ... 70 °C (at 24 V DC) |
| Degree of protection                     | IP20  |
| Ambient temperature (storage/transport)  | -40 °C ... 85 °C  |
| Permissible humidity (operation)         | 5 % ... 90 %  |
| Permissible humidity (storage/transport) | 5 % ... 90 %  |

## Standards and regulations

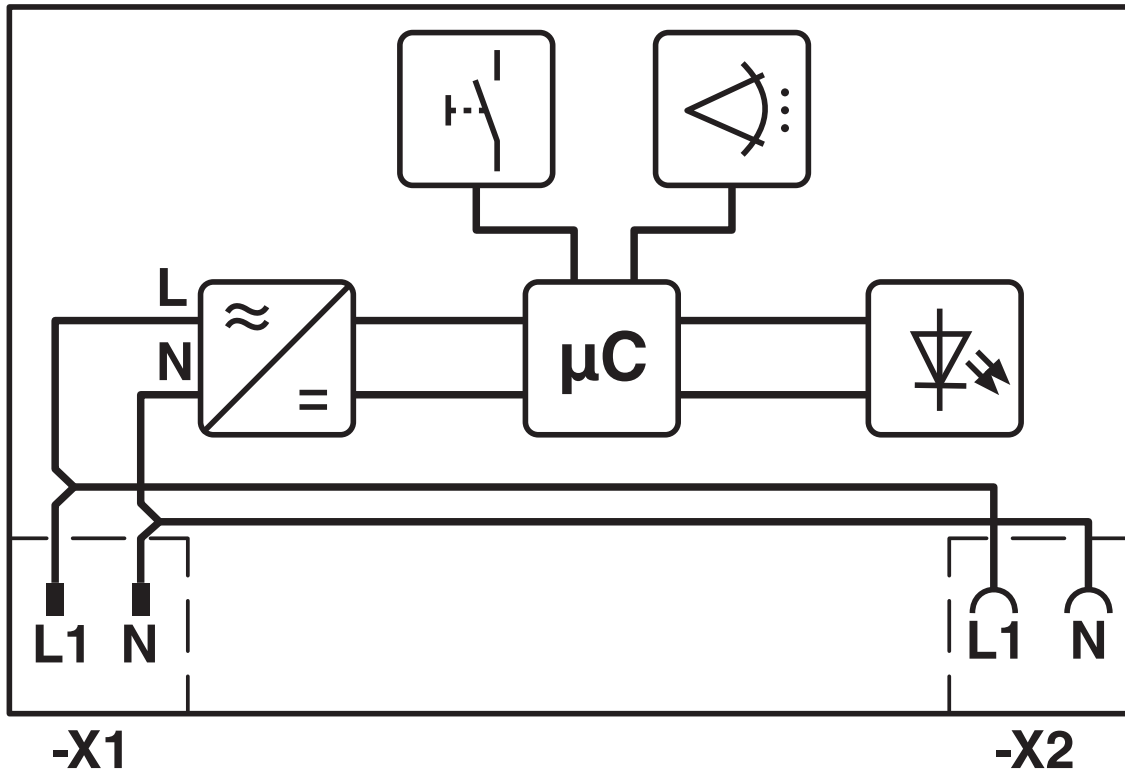
|                  |    |
|------------------|----|
| Protection class | II |
|------------------|----|

## Mounting

|                   |                       |
|-------------------|-----------------------|
| Mounting type     | Screw/magnet mounting |
| Mounting position | any                   |

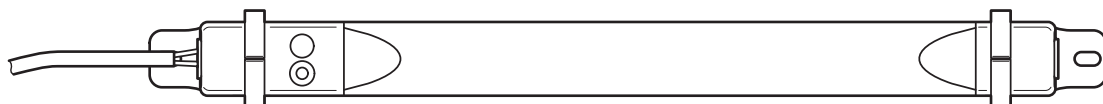
Drawings

Block diagram



Internal wiring

Schematic diagram



Connection of a light

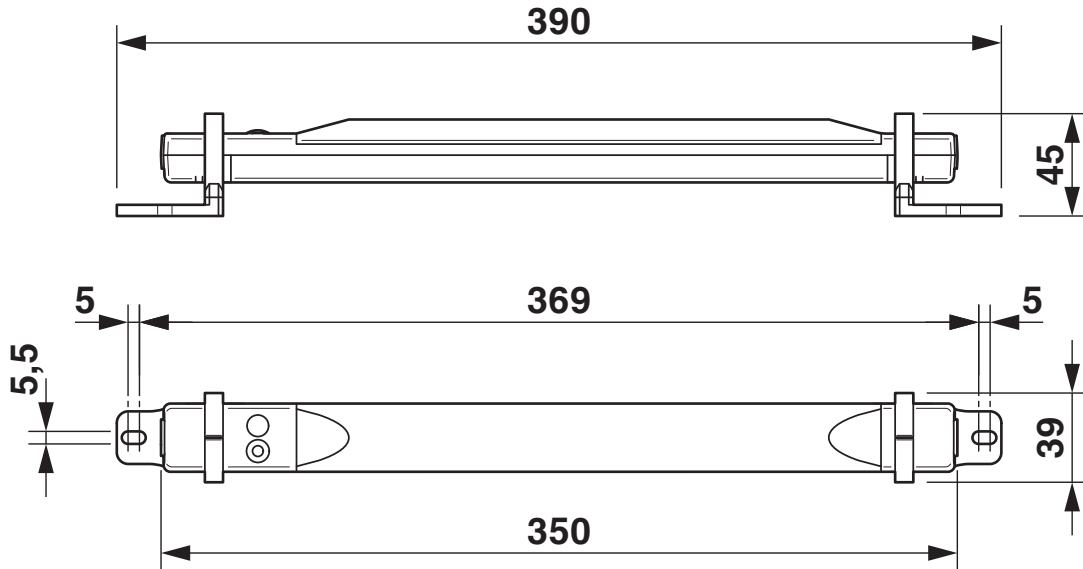
# PLD E 409 W 350 MS - LED enclosure light



1319573

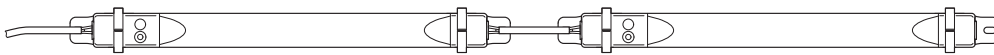
<https://www.phoenixcontact.com/us/products/1319573>

Dimensional drawing



Dimensions (in mm)

Schematic diagram



Series connection of two lights

# PLD E 409 W 350 MS - LED enclosure light



1319573

<https://www.phoenixcontact.com/us/products/1319573>

## Approvals

To download certificates, visit the product detail page: <https://www.phoenixcontact.com/us/products/1319573>



**cUL Recognized**

Approval ID: FILE E 255026



**UL Recognized**

Approval ID: FILE E 255026

**cULus Recognized**

# PLD E 409 W 350 MS - LED enclosure light



1319573

<https://www.phoenixcontact.com/us/products/1319573>

## Classifications

### ECLASS

|             |          |
|-------------|----------|
| ECLASS-11.0 | 27182808 |
| ECLASS-12.0 | 27182808 |
| ECLASS-13.0 | 27182808 |

### ETIM

|          |          |
|----------|----------|
| ETIM 9.0 | EC000321 |
|----------|----------|

### UNSPSC

|             |          |
|-------------|----------|
| UNSPSC 21.0 | 32151500 |
|-------------|----------|

# PLD E 409 W 350 MS - LED enclosure light



1319573

<https://www.phoenixcontact.com/us/products/1319573>

## Environmental product compliance

### EU RoHS

|   |                    |
|---|--------------------|
| Fulfills EU RoHS substance requirements | Yes, No exemptions |
|---|--------------------|

### China RoHS

|  |  |
|--|--|
| Environment friendly use period (EFUP) | EFUP-E                                   |
|  | No hazardous substances above the limits |

### EU REACH SVHC

|                                     |                            |
|-------------------------------------|----------------------------|
| REACH candidate substance (CAS No.) | No substance above 0.1 wt% |
|-------------------------------------|----------------------------|

# PLD E 409 W 350 MS - LED enclosure light



1319573

<https://www.phoenixcontact.com/us/products/1319573>

## Accessories

### PLD E 400-DS-3,0/0,6 - Door position switch

1318672

<https://www.phoenixcontact.com/us/products/1318672>



Door position switch with 3 m cable with open cable end and 0.6 m cable with open cable end, including mounting accessories

### PLD E 409 CLP/M - Holder

1531603

<https://www.phoenixcontact.com/us/products/1531603>



Replacement magnetic holder (1 pair) for PLD E 409 W 350 and PLD E 409 W 350 MS LED enclosure lights

Phoenix Contact 2024 © - all rights reserved

<https://www.phoenixcontact.com>

Phoenix Contact USA  
586 Fulling Mill Road  
Middletown, PA 17057, United States  
(+717) 944-1300  
[info@phoenixcon.com](mailto:info@phoenixcon.com)