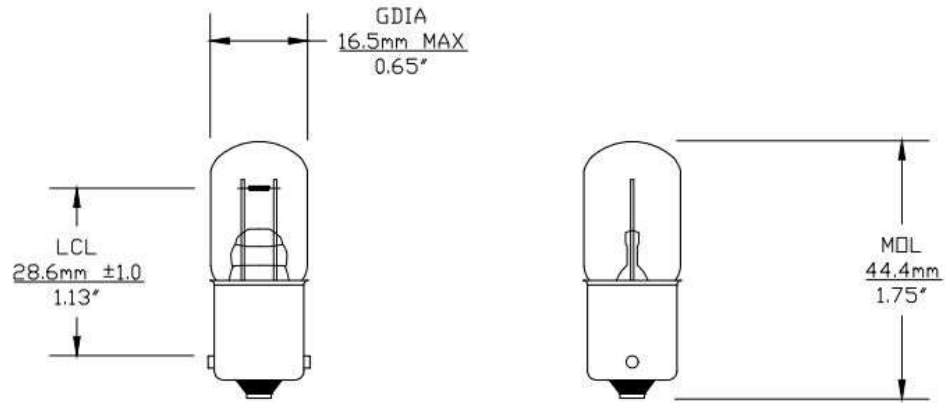


PART NO.	BASE TYPE	DESIGN VOLTS	AMPS	DESIGN WATTS	MSCP	FILAMENT	AVERAGE LIFE HOURS
1876X	SC BAYONET BA15s NICKEL	3.5	2.5 ±10%	8.75	6.5 ±30%	C-6	2,000

REVISIONS			
REV	DESCRIPTION	DATE	APPROVED
1	ISSUED	09/13/2011	DC

HIGH TEMPERATURE SOLDER



UNLESS OTHERWISE SPECIFIED: DIMENSIONS ARE IN INCHES TOLERANCES		CEC INDUSTRIES LTD	
DECIMALS	ANGULAR	599 BOND STREET	LINCOLNSHIRE IL 60069
.XX ± .05	± 0.5°	TITLE	
.XXX ± .010		LIGHT BULB NO. 1876X	
FRACTIONAL	±1/64	SIZE	FSCM NO.
		A	1876X
DRAWN	DATE	DWG NO.	REV
D.C.	09/13/2011		1
CHECKED		SCALE	PLOT SCALE
			SHEET 1 OF 1
DESIGN		FILE	DO NOT SCALE DRAWING
		1876X.dwg	

