



Flashing LED Hazardous Location Warning Light with XLT™

Model 191XL

RUGGED DESIGN FOR USE IN HAZARDOUS LOCATIONS

- XLT™ Technology
- Available in 24VAC/DC and 120-240VAC
- Five lamp/lens colors
- Flashing mode standard, configurable to Steady-burn
- 60,000 hour, vibration resistant LED lamp
- 3/4-inch NPT pipe mount
- Dome guard included
- Type 4X, IP66 enclosure, Marine Listed
- UL and cUL Listed

The model 191XL is a hazardous location flashing signal light that features the super bright LED array with XLT™, eXtreme Light Technology. The unit is available in 24VAC/DC, 120VAC or 240VAC and five colors – Amber, Blue, Clear, Green, and Red. The 191XL comes standard in flashing mode and is field configurable to steady burn mode for maximum functionality.

The Model 191XL has been certified by UL as meeting Type 4X watertight and corrosion-resistant requirements, and IP66 rated. This hazardous location warning light has an aluminum base ready for mounting on a 3/4-inch NPT pipe. The base features electrostatically applied (e-coated) epoxy paint for corrosion-resistance. A dome guard fits over the glass dome to protect it against accidental collision with moving equipment, such as a forklift. The outer glass dome and LED pairing are available in five colors – Amber, Blue, Green, Red and Clear.

Federal Signal's super bright LED array used in the 191XL with XLT inside produces intense light output and 60,000 hours of service. Increased shock and vibration resistance add to this unit's rugged industrial portfolio of features.

The 191XL is UL Listed for Class I, Division 2, Groups A, B, C and D; Class II Division 1, Groups E, F and G; and Class III.

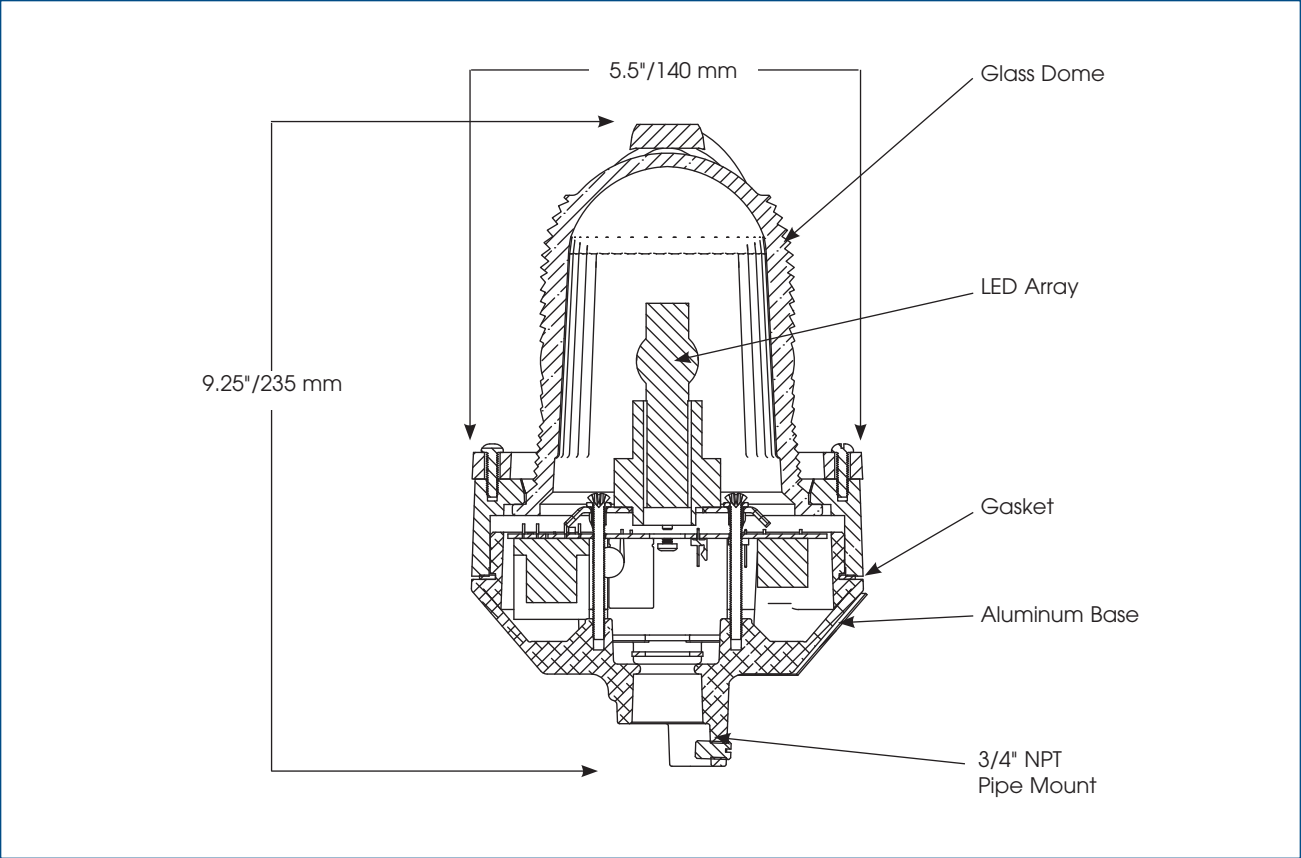
Model	Voltage	Operating Current	In-rush Current	Flash Rate/Minute	Mount
191XL-024 *	24VAC/DC	0.38 amps	1.75 amps, 5.0 mS	60	3/4" NPT Pipe
191XL-120-240 *	120/240VAC	0.21/0.13 amps	2.0 amps, 0.25 mS	60	3/4" NPT Pipe

* Indicates color: (A) Amber, (B) Blue, (C) Clear, (G) Green or (R) Red

Hazardous Location Rating:

Hazardous Location	T-Code at Maximum Ambient Temperature, °C					
	40°C		55°C		66°C	
	24V	100-265VAC	24V	100-265VAC	24V	100-265VAC
Class I, Div 2, Groups A, B, C, D	T6	T6	T5	T5	T4A	T4A
Class II, Div 1, Groups E, F and G	T6	T6	T6	T6	T6	T6
Class III	T6	T6	T6	T6	T6	T6

HAZARDOUS LOCATION LED WARNING LIGHT (191XL)



SPECIFICATIONS

Lamp Life:	60,000 Hours	60,000 Hours
Light Source:	LED Array	LED Array
Operating Temperature:	-58°F to 150°F	-50°C to 66°C
Net Weight:	4.0 lbs.	1.82 kg
Shipping Weight:	4.25 lbs.	1.93 kg
Height (with Dome Guard):	9.25"	235.0 mm
Diameter:	5.5"	140.0 mm