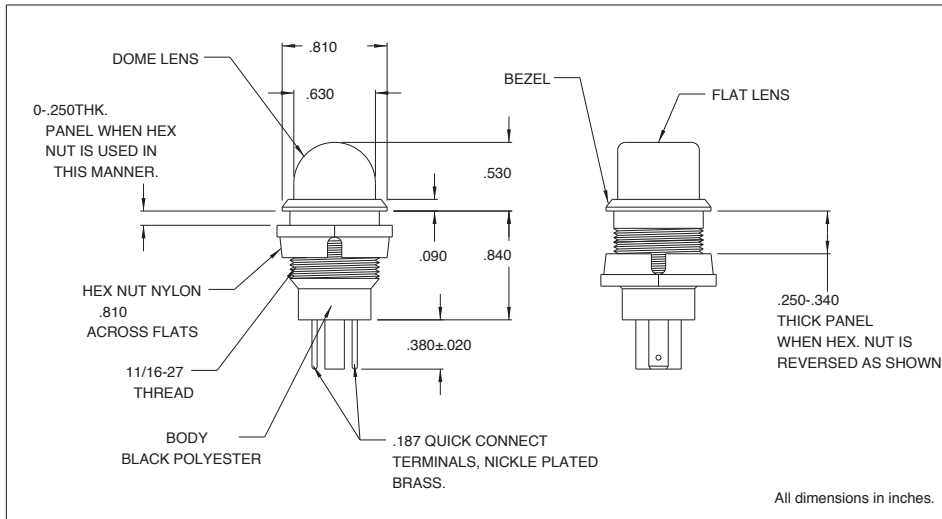
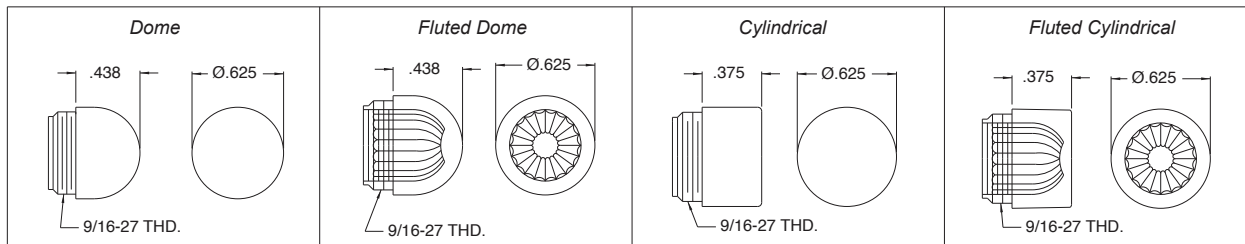


2802 Series Relampable Incandescent Indicator Light

Description and Features



Lens Specifications



All dimensions in inches.

Ordering Information:

For use with T-2 Slide Base (standard) lamps.

Complete assembly consists of socket (2802), lamp, and lens (see chart below).

Items supplied unassembled.

Lamp, lens and socket must be ordered separately.

Mounting: Supplied with polyester hex nut.

Lens: Polycarbonate-threaded

Body: Black polyester

Terminals: Nickel plated brass

Bezel: Black

Lens Part No:	Description
25P-306*	Transparent dome
25P-307**	Translucent dome
25P-326*	Transparent fluted dome
25P-606*	Transparent cylindrical
25P-607**	Translucent cylindrical
25P-626*	Transparent fluted cylindrical
(*) R=Red, A=Amber, G=Green, C=Clear	
(**) R=Red, Y=Yellow, G=Green, W=White	

Note: For 120 volt applications, CML recommends the use of a slide base neon lamp, rather than an incandescent lamp.

Mouser Electronics

Authorized Distributor

Click to View Pricing, Inventory, Delivery & Lifecycle Information:

VCC:

[25P-606C](#) [25P-306GS](#) [25P-306R](#) [25P-326C](#) [25P-306YS](#) [25P-326G](#) [25P-626A](#) [25P-607R](#) [25P-607G/S](#) [25P-607W](#) [25P-607Y](#) [25P-626R](#) [25P-307G](#) [25P-307W](#) [25P-307Y](#) [25P-606R](#) [25P-326A](#) [25P-306C](#) [25P-607G](#) [25P-326BS](#) [25P-626C](#) [25P-626G](#) [25P-606G](#) [25P-306G](#) [25P-306A](#) [25P-307R](#) [25P-326B](#)