

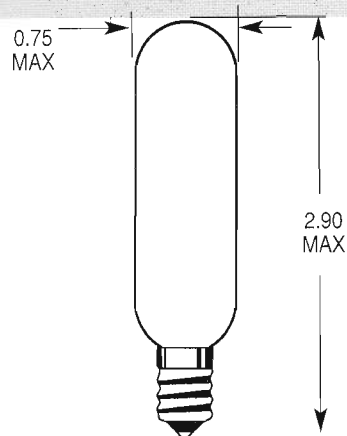


T-6 SPECIAL SERVICE LAMPS

LONG LIFE

EMERGENCY EXIT SIGN USE

EXIT



LINE NO.	VOLTS	AMPS	WATTS	LIFE @ 120 VOLTS	FILAMENT	CANDELABRA SCREW BASE
1	130.0	0.06	7	10,000	C-5A	7T6 - 130V - CS
2	130.0	0.12	15	5,000	C-7A	15T6 - 130V - CS
3	130.0	0.19	25	3,500	C-7A	25T6 - 130V - CS
4	145.0	0.10	15	10,000	C-7A	15T6 - 145V - CS

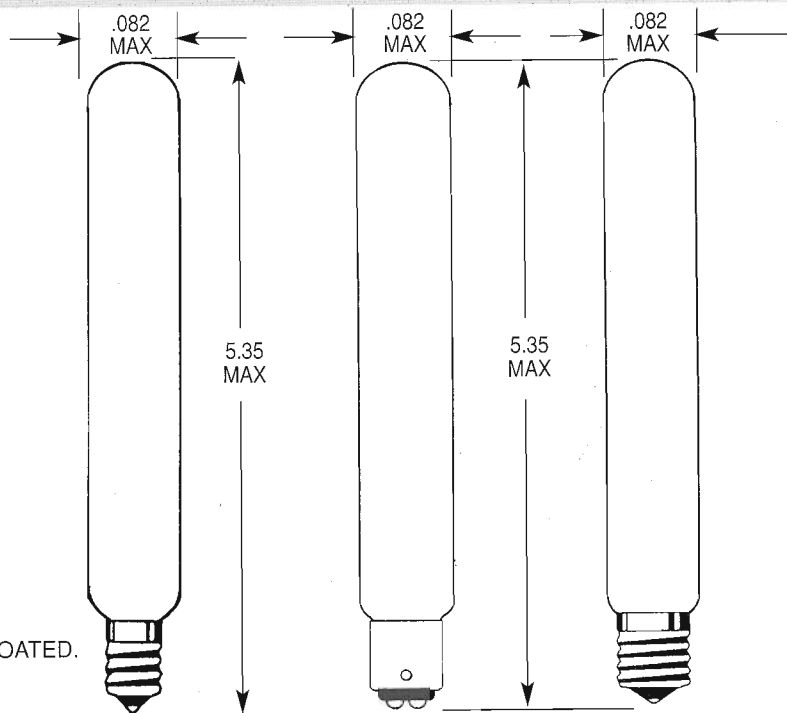
T-6^{1/2} SPECIAL SERVICE LAMPS

EMERGENCY EXIT SIGN USE

LONG LIFE

EXIT

THIS SECTION IS AVAILABLE IN 30,000 HOUR LONG LIFE VERSION. SEE PAGE 243.



C-8 LINEAR FILAMENT ON ALL T-6-1/2 LAMPS
AVAILABLE IN CLEAR OR FROSTED (F) OR (TF) TUFF-COATED.

LINE NO.	VOLTS	AMPS	WATTS	LIFE @ 120 VOLTS	FILAMENT	CANDELABRA SCREW BASE	DOUBLE CONTACT BAYONET BASE	INTERMEDIATE SCREW BASE
5	130.0	0.16	20	4,000	C-8	—	20T6.5-130V-DC	20T6.5N-130V-INT
6	130.0	0.16	20	4,000	C-8	—	20T6.5-130V-DCF	20T6.5N-130V-IF
7								
8	130.0	0.20	25	4,000	C-8	25T6.5-130V-CS	25T6.5-130V-DC	25T6.5N-130V-INT
9	130.0	0.20	25	4,000	C-8	—	25T6.5-130V-DCF	25T6.5N-130V-IF
10								
11	130.0	0.307	40	3,500	C-8	—	40T6.5-130V-DC	40T6.5N-130V-INT
12	220.0	0.114	25	3,500	C-8	—	—	25T6.5N-220V-INT