



# InfraRed Industrial Heat Incandescent

R125 IR 375W E27 230-250V CL 1CT

The Philips infrared incandescent reflector lamps are designed to work in the toughest environment such as farm, bathroom or kitchen and their nearest surrounding. They have a reinforced construction thanks to hard glass use. Their compact form and universal cap base allow them to be used with any suitable equipment. A very good method of generating warmth is by using heat lamps. The Philips infrared lamps provide direct, draught-free warmth to the animals, people, but also food. These benefits have made farmers, consumers and cooks around the world choose Philips infrared lamps, because they are the sturdiest, most efficient lamps available for these applications.

## Product data

### • General Characteristics

Cap-Base	E27
Bulb	R125 [R 125mm]
Bulb Material	Hard Glass
Bulb Finish	Clear
Operating Position	any [Any or Universal (U)]
Main Application	Infrared Industrial
Average Lifetime	5000 hr

### • Electrical Characteristics

Lamp Wattage	375 W
Voltage	230-250 V
Dimmable	Yes

### • Luminaire Design Requirements

Pinch Temperature	275 (max) C
Bulb Temperature	500 (max) C

### • Product Dimensions

Overall Length C	183 (max) mm
------------------	--------------

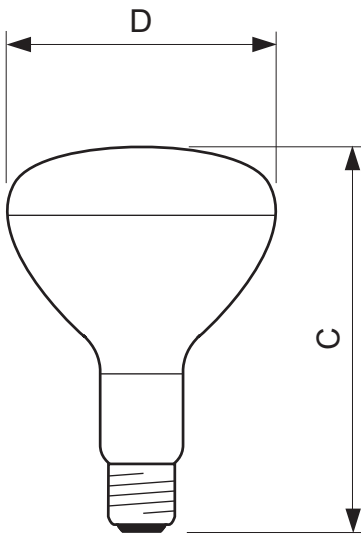
Diameter D 125 mm

### • Product Data

Order code	923223543807
Full product code	923223543807
Full product name	R125 IR 375W E27 230-250V CL 1CT
Order product name	R125 IR 375W E27 230-250V CL 1CT/10
Pieces per pack	1
Packing configuration	10
Packs per outerbox	10
Bar code on pack - EAN1	8711500126597
Bar code on outerbox - EAN3	8711500141118
Logistic code(s) - 12NC	923223543807
Net weight per piece	137.100 gr

## Dimensional drawing

## Dimensional drawing



### R125 IR 375W E27 230-250V CL 1CT

Product	C (Min)	C (Norm)	C (Max)	D (Min)	D (Norm)	D (Max)
R125 IR 375W E27 230-250V CL	-	-	183	-	125	-



E27



© 2013 Koninklijke Philips Electronics N.V.  
All rights reserved.

Specifications are subject to change without notice. Trademarks are the property of Koninklijke Philips Electronics N.V. or their respective owners.

[www.philips.com/lighting](http://www.philips.com/lighting)

2013, January 16  
data subject to change