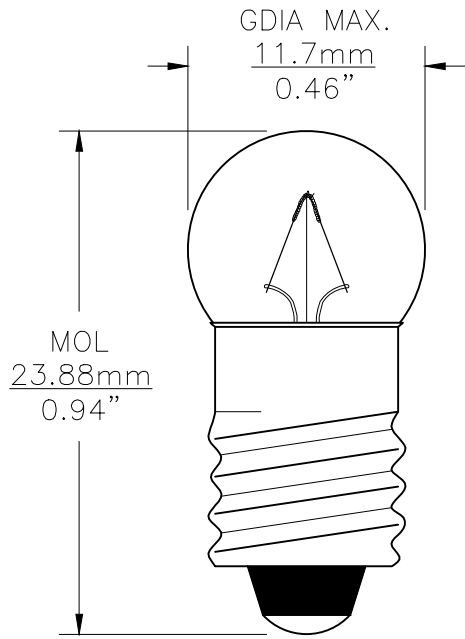




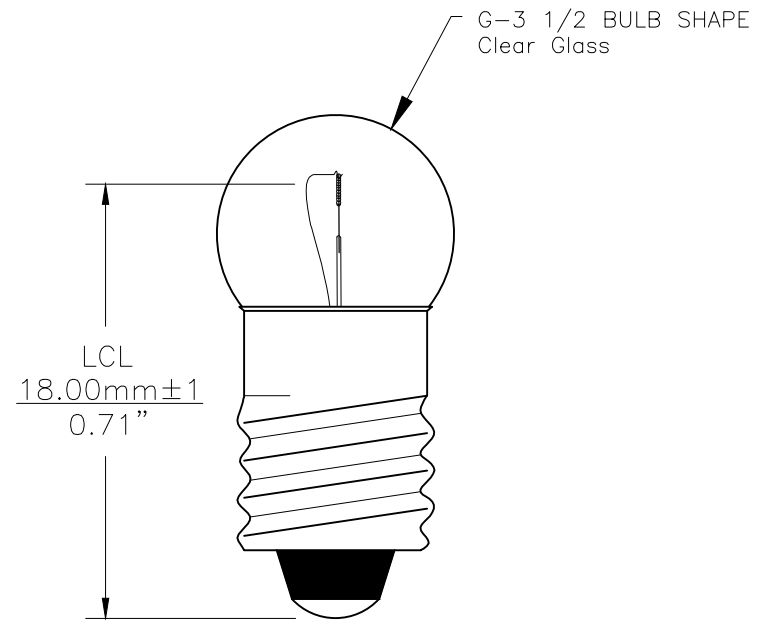
Since 1959

PART NO.	BASE TYPE	DESIGN VOLTS	DESIGN AMPS	MSCD	FILAMENT TYPE	AVERAGE LIFE HOURS
3966	Miniature Screw (E10)	14.0V	0.286±10%	2.5±25%	C-2V	500

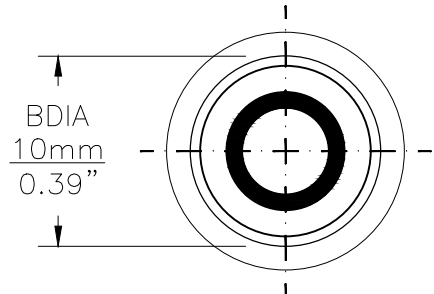
REVISIONS			
REV #	DESCRIPTION	DATE	APPROVED
1	ISSUED	03/01/2018	R.M.



0° VIEW



90° VIEW



BASE BOTTOM VIEW

Note: Made according to SAE specifications



UNLESS OTHERWISE SPECIFIED: DIMENSIONS ARE IN INCHES TOLERANCES		CEC INDUSTRIES LTD	
DECIMALS	ANGULAR	599 BOND STREET LINCOLNSHIRE, IL 60069	
.XX ± .05	± 0.5°	TITLE LIGHT BULB NO. 3966	
.XXX ± .010		SIZE A	FSCM NO. DWG NO. 3966
FRACTIONAL	± 1/64	CHECKED	REV 1
DRAWN ROSE MEDINA	DATE 03/01/2018	DESIGN	SCALE PLOT SCALE SHEET 1 OF 1
MATERIAL	FILE 3966.pdf	DRAWING NOT TO SCALE	