

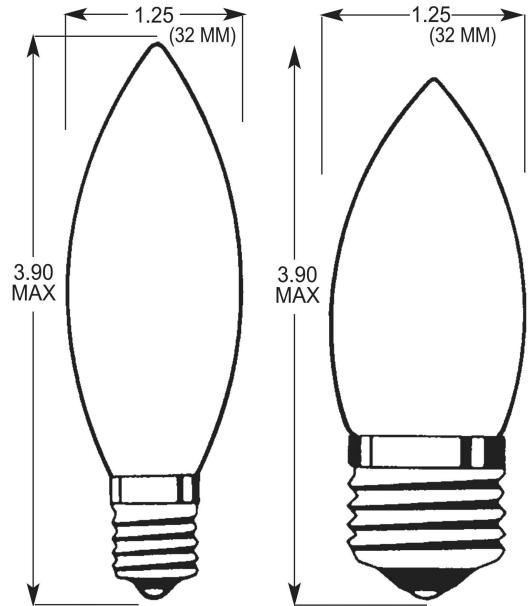
INCANDESCENT
1



NORMAN LAMPS, INC.
Distributing Light To The World

**STANDARD,
TORPEDO TIP
B-10 (32 MM)
CHANDELIER LAMPS**

130 VOLT / LONG LIFE FILAMENT
CLEAR OR FROSTED
LONG-LIFE • PREMIUM QUALITY
BRASS BASE



LINE NO.	VOLTS	AMPS	WATTS	LIFE @ 120 VOLTS	FILAMENT	FINISH	CANDELABRA SCREW BASE	MEDIUM SCREW BASE
1	130.0	.115	15	4,000	CC-2V	CLEAR	15CTC	15ETC
2	130.0	.192	25	4,000	CC-2V	CLEAR	25CTC	25ETC
3	130.0	.307	40	4,000	CC-2V	CLEAR	40CTC	40ETC
4	130.0	.461	60	4,000	CC-2V	CLEAR	60CTC	60ETC
5								
6	130.0	.115	15	4,000	CC-2V	FROSTED	15CTF	15ETF
7	130.0	.192	25	4,000	CC-2V	FROSTED	25CTF	25ETF
8	130.0	.307	40	4,000	CC-2V	FROSTED	40CTF	40ETF
9	130.0	.461	60	4,000	CC-2V	FROSTED	60CTF	60ETF

KEY TO CHANDELIER LAMP PART NUMBERS

<u>BASE</u>	<u>SHAPE</u>	<u>FINISH</u>
E = EDISON (MEDIUM)	F = FLAME TIP	F = FROST
C = CANDELABRA	T = TORPEDO TIP	C = CLEAR
<i>EXAMPLE: 40CTC = 40 WATT, CANDELABRA BASE, TORPEDO TIP, CLEAR</i>		



STANDARD, FLAME TIP B-10 (32 MM) CHANDELIER LAMPS

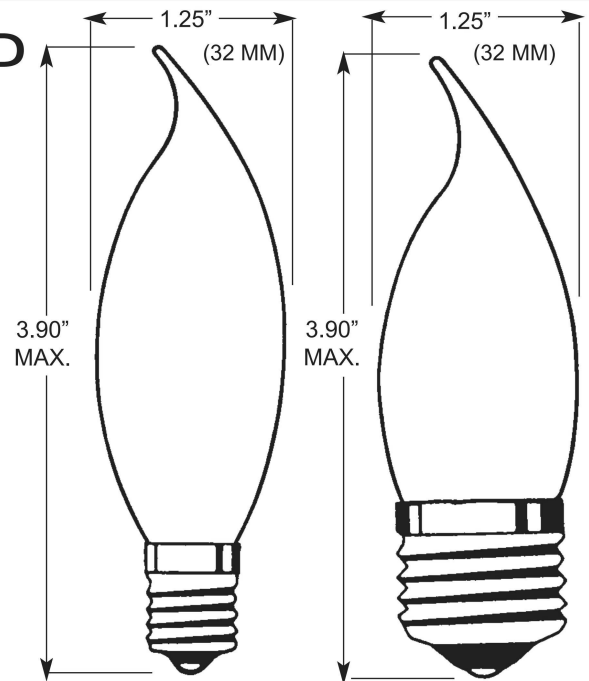
130 VOLT / LONG LIFE FILAMENT
CLEAR OR FROSTED

LONG-LIFE • PREMIUM QUALITY

BRASS BASE

SINGLE PACK BOX

LOW VOLTAGE TYPES ALSO LISTED: 12V AND 24V



LINE NO.	VOLTS	AMPS	WATTS	LIFE @ 120 VOLTS	FILAMENT	FINISH	CANDELABRA SCREW BASE	MEDIUM SCREW BASE
1	12.0	1.50	18	3,000	CC-6	CLEAR	18BT6-12V-CS	—
2	24.0	.75	18	3,000	CC-6	CLEAR	18BT6-24V-CS	—
3								
4	130.0	.115	15	4,000	CC-2V	CLEAR	15CFC	15EFC
5	130.0	.192	25	4,000	CC-2V	CLEAR	25CFC	25EFC
6	130.0	.307	40	4,000	CC-2V	CLEAR	40CFC	40EFC
7	130.0	.461	60	4,000	CC-2V	CLEAR	60CFC	60EFC
8								
9	130.0	.115	15	4,000	CC-2V	FROSTED	15CFF	15EFF
10	130.0	.192	25	4,000	CC-2V	FROSTED	25CFF	25EFF
11	130.0	.307	40	4,000	CC-2V	FROSTED	40CFF	40EFF
12	130.0	.461	60	4,000	CC-2V	FROSTED	60CFF	60EFF

MINIATURE FLAME TIP

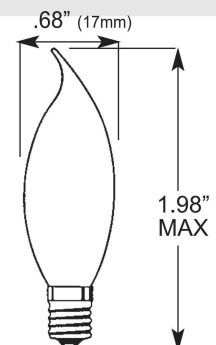
(17 MM DIAMETER)

LOW VOLTAGE (2.5 VOLT)

DECORATIVE, HOBBY LIGHT

DESIGNED FOR BATTERY-POWERED DEVICES.

LONG SERVICE LIFE • SMALL SIZE



LINE NO.	VOLTS	AMPS	WATTS	LIFE	FILAMENT	FINISH	MINIATURE SCREW BASE
13	2.5	.300	3/4	3,000	C-2R	CLEAR	FT2.5V-300MA-MS