



MASTER LEDspot MV

MASTER LEDspotMV D 4-35W GU10 827 40D

Delivering a warm, halogen-like accent beam, MASTER LEDspot MV is a perfect fit for spot lighting (track, corridors, lift lobbies, display cases and cabinets) in the hospitality industry. It is particularly suitable to public areas where the light is on 24/7, such as lobbies, corridors, stairwells. MASTER LEDspot MV delivers huge energy savings and minimizes maintenance cost without any compromise on brightness, enabling hospitality owners to achieve a return on their investment within one year. These LEDspots are compatible with most existing fixtures with a GU10 holder and designed as a retrofit replacement for halogen or incandescent spots. The dimmable versions drive further efficiencies, while helping to create the desired atmosphere.

Product data

• General Characteristics

Cap-Base	GU10
Bulb	PAR16 [PAR 2inch]
Rated Lifetime (hours)	40000 hr
Nominal Lifetime hours	40000 hr

• Light Technical Characteristics

Color Code	827
Color Designation (text)	Warm White
Beam Angle	40 D
Correlated Color Temperature	2700 K
Luminous Flux	255 Lm
Luminous Intensity	500 cd
Color rendering index	80
Luminous Efficacy Lamp	68.75 Lm/W
Color Temperature	2700 K [CCT 2700K]
Rated Luminous Flux	255 Lm
LLMF - end nominal lifetime	70 %
Colour consistency	6 steps
Rated Beam Angle	40 D
Luminous flux in 90° cone	235 Lm

• Electrical Characteristics

Wattage	4 W
Wattage Technical	4 W
Voltage	220-240 V
Line Frequency	50-60 Hz

Power Factor	0.6 -
Lamp Current mA	28 mA
Dimmable	Yes
Wattage Equivalent	35 W
Rated Wattage	4.0 W
Starting Time	0.1 (max) s
Warm-up Time to 60% Light Outp	instant full light
Suitable for accent lighting	Yes

• Temperature Characteristics

T-case maximum	85 C
----------------	------

• Environmental characteristics

Energy Efficiency Label (EEL)	A+
-------------------------------	----

• Measuring Conditions

Switching cycle	50000X
-----------------	--------

• Product Dimensions

Overall Length C	55 mm
Diameter D	50 mm

• Product Data

Order code	929000256102
Full product code	929000256102
Full product name	MASTER LEDspotMV D 4-35W GU10 827 40D
Order product name	MAS LEDspotMV D 4-35W GU10 827 40D



PHILIPS

MASTER LEDspot MV

Pieces per pack 1
 Packing configuration 10
 Packs per outerbox 10
 Bar code on pack - EAN1 8718291697046

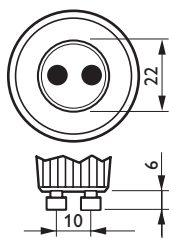
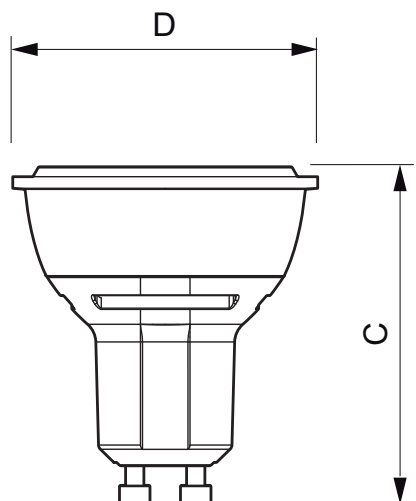
Bar code on outerbox - EAN3 8718291697053
 Logistic code(s) - 12NC 929000256102
 Net weight per piece 0.038 kg

Warnings and Safety

- Operating temperature range is between -20° C and 45° C ambient

- Only to apply in dry or damp locations and most of open fixtures with lamp-holders that offer sufficient space (10 mm free air space)
- Not intended for use with emergency light fixtures or exit lights

Dimensional drawing



GU10

MASTER LEDspotMV D 4-35W GU10 827 40D

Product	C (Norm)	C1 (Max)	D (Norm)	D1 (Norm)
LED D 4-35W GU10 827 40D	55	-	50	-

Photometric data

