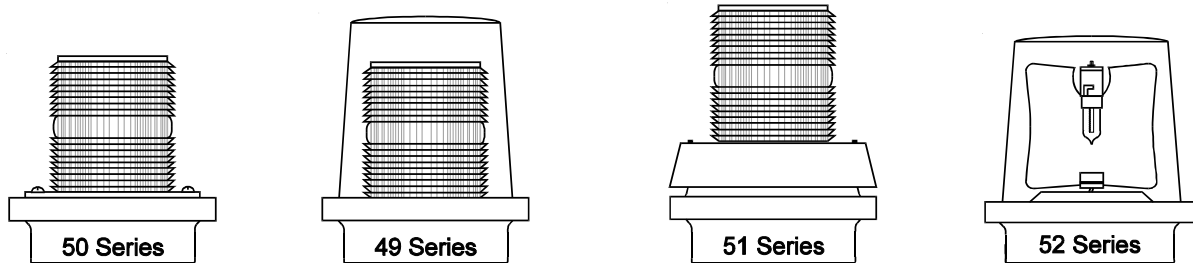


Installation Instructions for Catalog Series 49, 50, 50SIN, 51 and 52 AdaptaBeacon® Signals



Description

Catalog Series 49, 50, 50SIN, 51 and 52 AdaptaBeacon signals are UL and cUL listed, general purpose visual and visual/audible signaling appliances. The 49 and 50 series are flashing lights. The 50SIN is a steady-on light. The 51 series are combination flashing lights with horn. The 51 series come in single and double horn versions; the double horn version is denoted by a 2H in its catalog number. The 52 series are rotating lights.

The 49, 50, 50SIN, 51 and 52 series signals are suitable for indoor or outdoor (weatherproof) installation and utilize a standard base that allows direct surface mounting, mounting on a 4" (102 mm) octagon box, or mounting on 1/2" (13 mm) NPT conduit. For outdoor installation, the signals must be mounted on conduit.

For product specification details see Table 2. Refer to Table 3 for available replacement lamps, flashers, domes and lenses.

PLC Compatibility

The electrical input load requirements for PLC compatible signaling devices are listed in Table 1. Signaling devices may be directly connected to output cards that meet these input load requirements.

Installation

! WARNINGS

To prevent electrical shock, ensure that power is disconnected before installing the signal.

To prevent electrical shock, use care when disassembling the signal to prevent tearing of the permanently affixed gaskets provided for weatherproofing.

Install in accordance with the latest edition of the National Electrical Code and local regulations.

- For the 49, 50, 50SIN, 51 and 52 series signals, remove the base from the signal using one of the following applicable procedures.

49 Series: See Figure 1. Remove the screw in the clamp ring, remove the ring, and lift off the dome. Loosen the three screws in the base of the lens and turn the lens clockwise to remove. Then remove the two screws that are partially set into the raised area of the lamp assembly mounting plate, lift the assembly off of the base, and pull the wire leads out of the conduit entrance hole in the base. Proceed to step 2 for installation of the base.

Table 1. PLC Compatibility

Cat. No.	Operating voltage*	Maximum off state leakage current (mA)	Continuous on current (mA)	Surge (inrush/duration) (A/ms**)
50()-N5-40WH	120V AC	25	300	2/8
50SIN()-N5-40WH	120V AC	25	290	0.47/8
51()-N5-40W	120V AC	25	350	2/8

*All AC volts at 60 Hz

**Amps/milliseconds

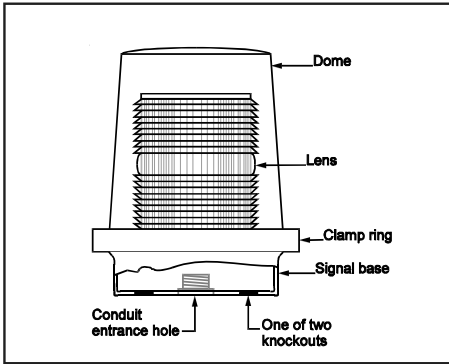


Figure 1. Catalog Series 49 Flashing Lights

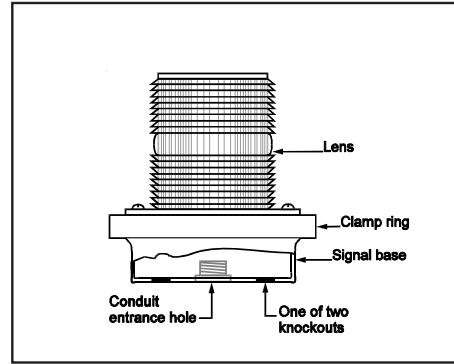


Figure 2. Catalog Series 50 and 50SIN Flashing Lights

50 and 50SIN Series: See Figure 2. Remove the screw in the clamp ring, remove the ring, lift the lens/lamp assembly off of the base, and pull the wire leads out of the conduit entrance hole in the base. Proceed to step 2 for installation of the base.

51 Series: See Figure 3. Remove the screw in the clamp ring, remove the ring, lift the lens/lamp assembly off of the base, and pull the wire leads out of the conduit entrance hole in the base. Proceed to step 2 for installation of the base.

52 Series: See Figure 4. Remove the screw in the clamp ring, remove the ring, and lift off the dome. Then remove the two screws in the rotating lamp assembly mounting plate, lift the assembly off of the base, and pull the wire leads out of the conduit entrance hole in the base. Proceed to step 2 for installation of the base.

- For indoor installation, the signal may be direct surface mounted, mounted on a 4" (102 mm) octagon box, or mounted on 1/2" (13 mm) NPT conduit. For outdoor (weatherproof) installation, the signal must be conduit mounted. Install the signal base using one of the following applicable mounting procedures.

Direct Surface Mounting (indoor installation only)

NOTE: For proper operation of the 52 series rotating lights, the signals must be installed with the dome facing either directly up or directly down.

Remove the two knockouts for mounting screws from the bottom of the signal base.

Route the field wiring from the required power source through the conduit entrance hole in the base. Power source requirements are in Tables 2 and 3.

Fasten the base to the surface by installing two #10 wood screws (not supplied) or other suitable hardware through the knockout holes in the base. Proceed to step 3 for wiring connections.

Mounting on a 4" (102 mm) Octagon Box (indoor installation only)

NOTE: For proper operation of the 52 series rotating lights, the signals must be installed with the dome facing either directly up or directly down.

Remove the two knockouts for mounting screws from the bottom of the signal base.

Route the field wiring from the required power source through the conduit entrance hole in the base. Power source requirements are in Tables 2 and 3.

Fasten the base to the octagon box (not supplied) by installing the screws supplied with the box through the knockout holes in the base. Proceed to step 3 for wiring connections.

Mounting on 1/2" (13 mm) NPT Conduit (indoor or outdoor installation)

NOTE: For proper operation of the 52 series rotating lights when mounting indoors, the signals must be installed with the dome facing either directly up or directly down.



WARNING

To prevent leakage and potential electrical shock when mounting outdoors, the signals must be installed with the dome facing directly up.

Route the field wiring from the required power source through the conduit entrance hole in the base. Power source requirements are in Table 2 located on the last page of these instructions.

Install the base on the conduit (not supplied). Proceed to step 3 for wiring connections.

- Using wire nuts (not supplied), connect the field wiring to the signal's wire leads. Polarity is not important. A green ground wire is provided on all units. Connect the green ground wire lead in accordance with local codes. Place the connected wires inside of the base and reassemble the signal on the base.



WARNINGS

To avoid risk of injury, do not remove or insert lamp when unit is energized.

To avoid risk of injury, install lens before energizing the unit.

- Turn on power and verify that the signal operates properly.

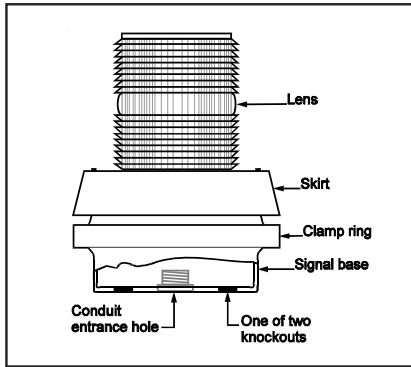


Figure 3. Catalog Series 51 Flashing Lights with Horn

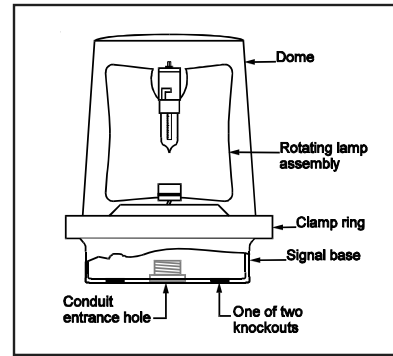


Figure 4. Catalog Series 52 Rotating Lights

Troubleshooting

Should the lamp fail to operate, check that power is on. If power is on, either the lamp or the solid state flasher module (the module is not used in the 52 series signals) requires replacement. Replace the lamp first as directed in the "Lamp Replacement" section that follows. Should the replacement lamp also fail to operate, the flasher module must be replaced. Refer to Table 3 for the required replacement flasher. Instructions for replacing the flasher are provided with the flasher.

NOTE: Should both the lamp and horn fail to operate in a 51 Series signal, replace the flasher module.

Maintenance



WARNINGS

To avoid risk of injury, do not remove or insert lamp when unit is energized.

To avoid risk of injury, install lens before energizing the unit.

Lamp Replacement

Refer to Table 3 for the required lamp. After disconnecting power, replace the lamp using one of the following applicable procedures:



WARNING

To prevent electrical shock, ensure that power is disconnected prior to disassembly.



WARNING

To prevent electrical shock, use care when disassembling the signal to prevent tearing of the permanently affixed gaskets provided for weatherproofing.

49 Series: See Figure 1. Remove the screw in the clamp ring, remove the ring, and lift off the dome. Loosen the three screws in the base of the lens and turn the lens clockwise to remove. Replace the lamp.

50 and 50SIN Series: See Figure 2. Remove the three screws from the top of the trim ring and lift off the lens and ring. Replace the lamp.

51 Series: See Figure 3. Remove the three screws from the top of the skirt and lift off the lens and skirt. Replace the lamp.



CAUTION

To prevent damage to the lens and/or dome, do not use abrasive materials or cleaners.

52 Series: See Figure 4. Remove the screw in the clamp ring, remove the ring, and lift off the dome. Replace the lamp.

Cleaning

The signal's lens and/or dome should be periodically cleaned to maintain optimum light visibility. These items may be cleaned with a soft cloth or sponge using mild detergent. Ensure that the lens or dome is completely dry before replacing.

Table 2. Specifications

Catalog Number	Rated Voltage	Current
49(*)-R5	240V 50/60 Hz	0.10 amp
50(*)-R5	240V 50/60 Hz	0.10 amp
52(*)-R5	240V 50/60 Hz	0.10 amp
49(*)-N5-40WH	120V 50/60 Hz	0.30 amp
50(*)-N5-40WH	120V 50/60 Hz	0.30 amp
50SIN(*)-N5-40WH	120V 50/60 Hz	0.29 amp
51(*)-N5-40W	120V 50/60 Hz	0.29 amp
52(*)-N5-40WH	120V 50/60 Hz	0.35 amp
50(*)-G5-20WH	24V 50/60 Hz	0.80 amp
51(*)-G5-20W	24V 50/60 Hz	1.1 amp
52(*)-G5-20WH	24V 50/60 Hz	0.80 amp

Table 3. Replacement Parts

Replacement lamps, flashers, lenses and domes for the 49, 50, 50SIN, 51 and 52 series signals may be obtained from your Edwards distributor. The catalog numbers or part numbers for these components are as follows.

Signal Catalog Number	Replacement Component	Replacement Component Part Number
49(*)-N5-40WH, 50(*)-N5-40WH, 50SIN(*)-N5-40WH, 52(*)-N5-40WH	Lamp - 40 Watt Halogen	50LMP-40WH or 50LMP-40W** 25T8DC**
51(*)-N5-40W	Lamp - 40 Watt	50LMP-40W or 25T8DC
49(*)-R5, 50(*)-R5, 52(*)-R5	Lamp - 25 Watt	P-041917-0039 or industry trade no. 25T8/240V/DC/CL
50(*)-G5-20WH, 52(*)-G5-20WH	Lamp - 20 Watt Halogen	50LMP-20WH or industry trade no. 1638**
51(*)-G5-20W	Lamp - 20 Watt	50LMP-20W or industry trade no. 1638
49(*)-N5-40WH, 50(*)-N5-40WH, 51(*)-N5-40W	Solid state flasher module	P-041917-0026
50(*)-G5-20WH, 51(*)-G5-20W	Solid state flasher module	P-041917-0029
49(*)-R5, 50(*)-R5	Solid state flasher module	P-041917-0038
51(*)-N5-40W	Horn	123A-N5
51(*)-G5-20W	Horn	123A-G5
49(*)-N5-40WH, 49(*)-R5	Dome (Clear)	52-LC
52(*)-G5-20WH, 52(*)-N5-40WH, 52(*)-R5	Dome (Amber, Blue, Clear, Green, Magenta or Red)	52-L(*)
49(*)-N5-40WH, 49(*)-R5, 50(*)-N5-40WH, 50(*)-R5, 50(*)-G5-20WH, 50SIN(*)-N5-40WH, 51(*)-G5-20W, 51(*)-N5-40W	Lens (Amber, Blue, Clear, Green, Magenta or Red)	92-L(*)

*Specify color of item by adding one of the following letters to the catalog number: A - amber, B - blue, C - clear, G - green, M - magenta, or R - red (e.g., a red dome for the 52 series signal is 52-LR).

**The listed non-halogen bulb may be used instead of the halogen bulb.