

6060WH	6101NBK	6108NWH	6148NBK	6151NBK	7582
6060BK	6102NWH	6108NBK	6148NWH	6152NWH	7584
6061WH	6102NBK	6112NWH	6149NWH	6152NBK	7681
6061BK	6103NWH	6112NBK	6149NBK	6153NWH	7683
6096WH	6103NBK	6146NWH	6150NWH	6153NBK	
6096BK	6104NWH	6146NBK	6150NBK		
6101NWH	6104NBK		6151NWH		

Project: _____

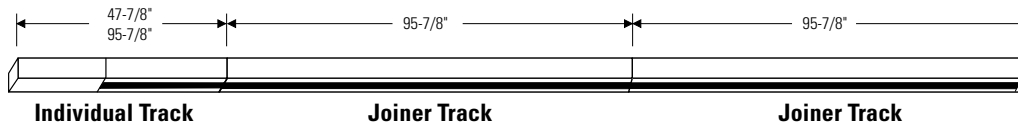
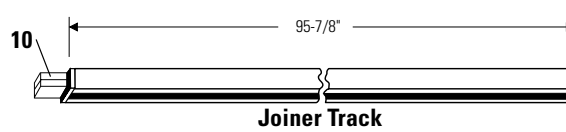
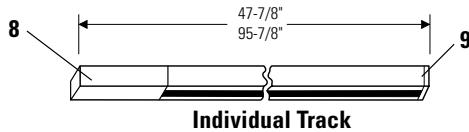
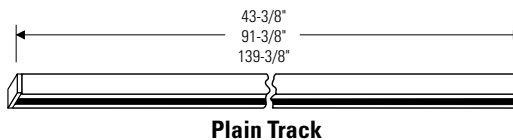
Location: _____

Cat.No: _____

Type: _____

Lamps: _____ Qty: _____

Notes: _____



Finishes	Individual Track		Joiner Track	Plain Track		
	4' Catalog No.	8' Catalog No.	8' Catalog No.	4' Catalog No.	8' Catalog No.	12' Catalog No.
Matte White	6101NWH	6102NWH	6103NWH	6104NWH	6108NWH	6112NWH
Matte Black	6101NBK	6102NBK	6103NBK	6104NBK	6108NBK	6112NBK

Features

- Advent Lytespan Track:** 6063-T5 Aluminum 0.070" wall thickness.
- Track Mounting Clips:** 0.024 Spring steel, in black or white; order separately.
- Toggle Bolt & Screws:** furnished with track units.
- Conductor (3):** 20A current carrying capacity.
- Insulating Liner:** 0.040" wall, thermoplastic.
- Neutral Conductor:** on bead side of track.
- Polarity Bead:** identifies the neutral conductor.
- Live End:** molded thermoplastic. Includes contacts for power supply leads.
- Dead End Cover:** molded thermoplastic.
- Mini Coupler:** connects track units mechanically and electrically.

Mechanical

Track units plug together and lock securely to prevent accidental separation. Track units can be field cut.

Finish

All painted finishes are baked enamel.

Mounting

Track may be surface mounted to ceilings or walls. The track may be stem mounted. The track is not intended to be cable mounted. The track can also be recessed, see Specification Sheet 7515.

Electrical

Two circuits individually controllable, rated 20 amps. at 120 volts 60 Hz per track circuit (40 amps total for the two circuits), when supplied by a 120/240 volt, 60-Hz, single phase 3-wire branch circuit with a grounded neutral. The track is polarized and continuously grounded throughout.

Electrical (continued)

Electrical conductors are concealed in a insulating liner. Lytespan lighting units attach to the track at any point and can be adjusted to operate on either track circuit. Not intended for use with a power cord or a convenience receptacle adapter. Magnetic and electronic transformers require different dimmer controls. Use the proper control device on the track. Caution should be used when operating dimming controls on 3 wire circuiting (the neutral conductor may overload). For additional information on dimming, call 1-800-833-3664. All wiring must be in accordance with National and Local Codes.

Labels

cUL, IBEW.

6101 Lytespan

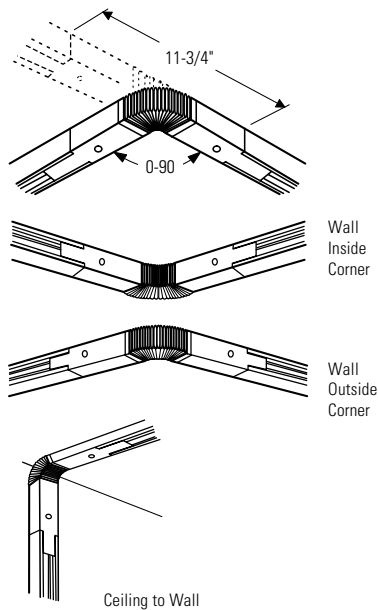
Advent 1 & 2 Circuit Track

Track Mounting, Power Feed Systems and Mounting Patterns

Variable Angle Connector

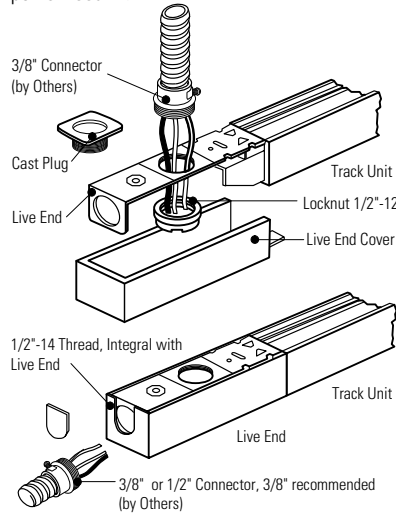
The Variable Angle Connector is pre-wired and polarized. It contains a nut with a thread 1/2"-14 to accept a 3/8" (trade sized) electrical connector. Flexes in all directions.

- 6153NWH** Matte White
- 6153NBK** Matte Black



Direct Feed into Connectors

The Live End, "L", "T", "X", In-line, and Variable Angle Connectors contain a nut with a 1/2"-14 thread to accept a 3/8" or 1/2" (trade size) electrical connector, 3/8" connector recommended. Does not require a separate power feed kit.

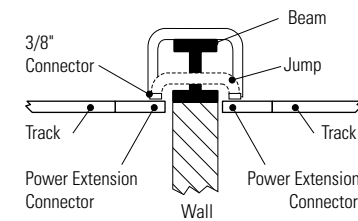


Power Extension Connector

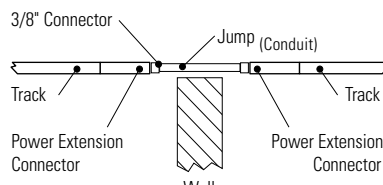
Replaces Dead End Cover at end of track to permit power continuity around structural obstacles to another track section. Accepts same power feed-in kits as Live End.

- 6146NWH** Matte White
- 6146NBK** Matte Black

Over Beam or Through Beam



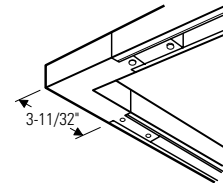
Through Wall or Column



"L" Connector

The "L" connector is polarized and pre-wired. It may be rotated for right angle or left angle turn. KO permits direct feed with electrical connector.

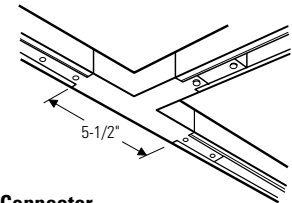
- 6150NWH** Matte White
- 6150NBK** Matte Black



"T" Connector

The "T" connector is not pre-wired or polarized. Used to make "T" pattern with track. 12 ga. copper jumper wires supplied to make all necessary connections. KO permits direct feed with electrical connector.

- 6151NWH** Matte White
- 6151NBK** Matte Black



"X" Connector

The "X" connector is not pre-wired or polarized. Used to make "X" pattern with track. 12ga. copper jumper wires supplied to make all necessary connections. KO permits direct feed with electrical connector.

- 6152NWH** Matte White
- 6152NBK** Matte Black

