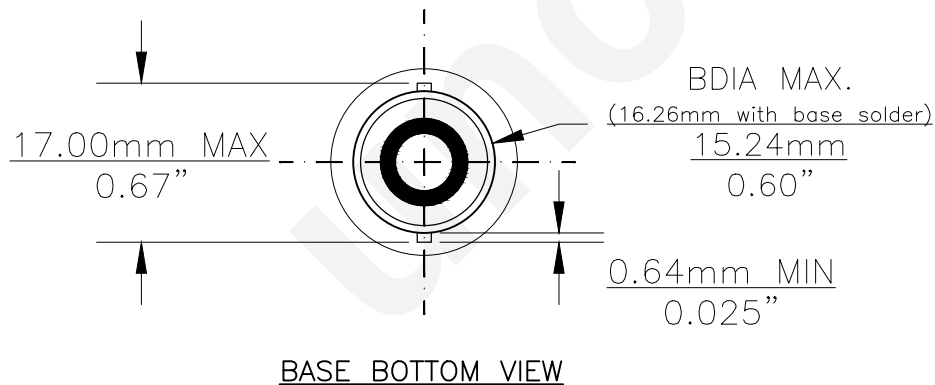
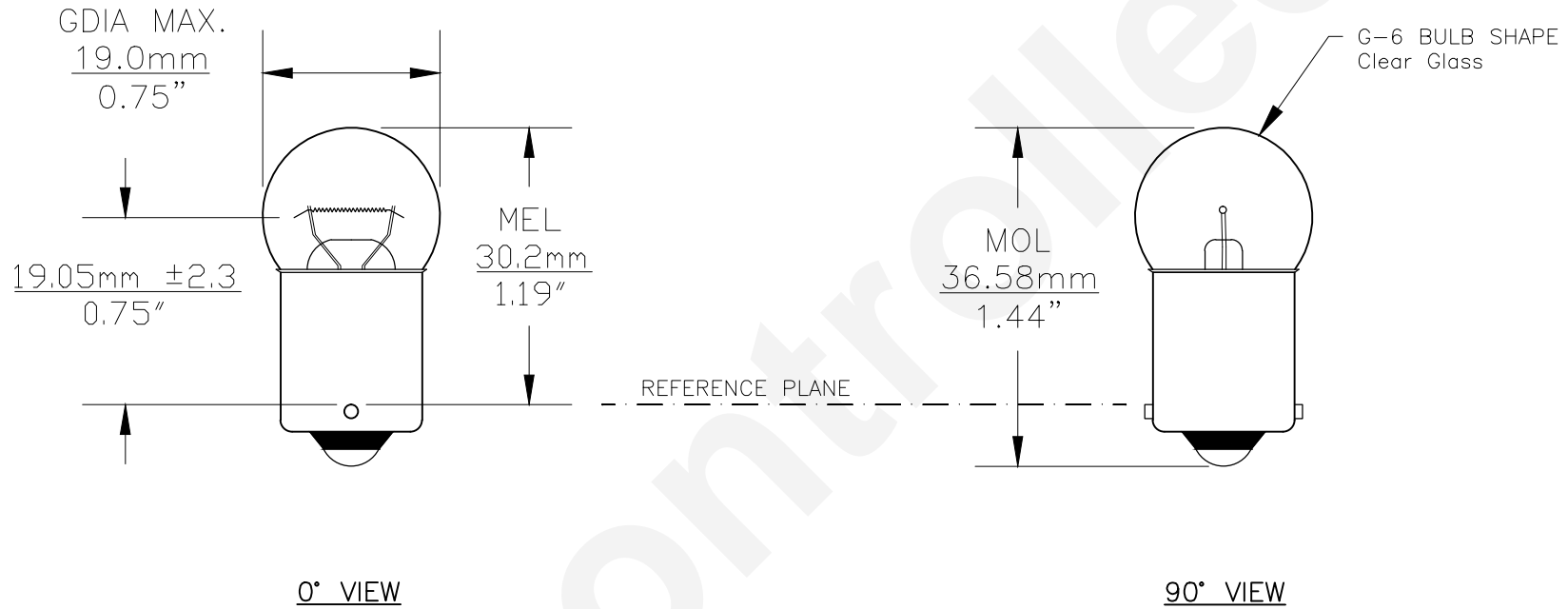




PART NO.	BASE TYPE	DESIGN VOLTS	DESIGN AMPS	MSCD	FILAMENT TYPE	AVERAGE LIFE HOURS	REVISIONS			
							REV #	DESCRIPTION	DATE	APPROVED
63	S.C. BAYONET (BA15s)	7.0V	0.63±8%	3 ±15%	C-6	1000	1	ISSUED	05/29/2014	R.M.



Note: Made according to SAE specifications

UNLESS OTHERWISE SPECIFIED: DIMENSIONS ARE IN INCHES TOLERANCES		CEC INDUSTRIES LTD			
DECIMALS	ANGULAR	599 BOND STREET		LINCOLNSHIRE, IL 60069	
.XX ± .05	± 0.5°	TITLE LIGHT BULB NO. 63			
.XXX ± .010	FRACTIONAL ± 1/64	CHECKED	DATE	SIZE	REV
ROSE MEDINA	05/29/2014	A	FSCM NO.	DWG NO.	1
DESIGN	SCALE	PLOT SCALE		SHEET	1 OF 1
MATERIAL	FILE	63.pdf		DRAWING NOT TO SCALE	