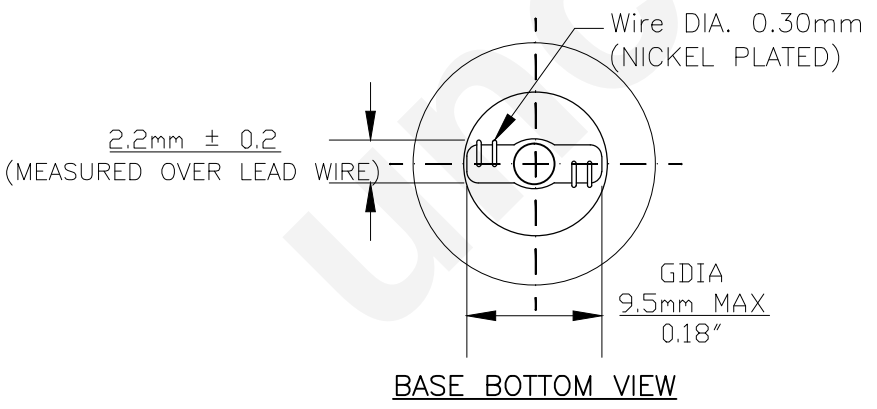
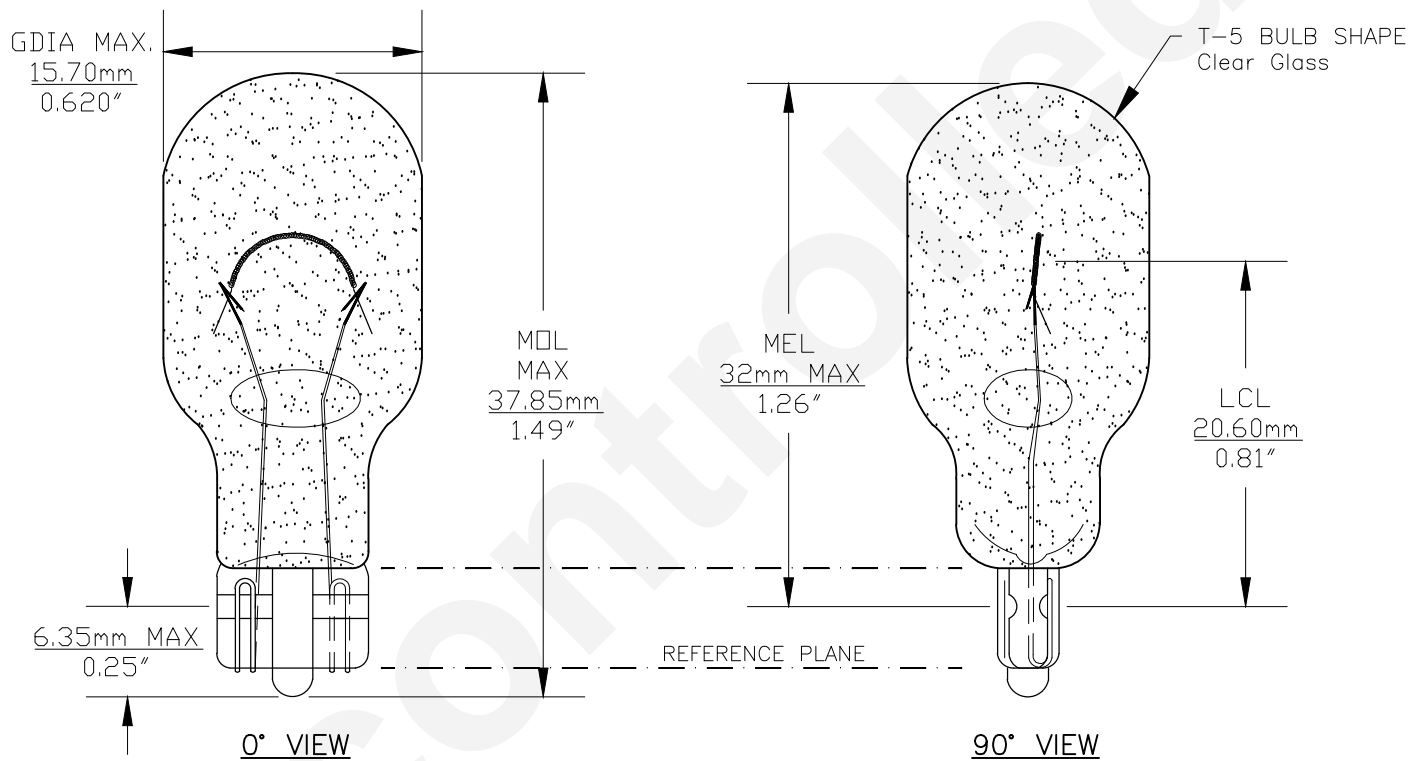




PART NO.	BASE TYPE	DESIGN VOLTS	DESIGN AMPS	MSCD	FILAMENT TYPE	AVERAGE LIFE HOURS	REVISIONS			
							REV #	DESCRIPTION	DATE	APPROVED
922F	Glass Wedge W2.1X9.5d (T-5)	12.8V	0.98±10%	15.0±20%	C-2R	200	1	ISSUED	06/26/2014	R.M.



Note: Made according to SAE specifications



UNLESS OTHERWISE SPECIFIED: DIMENSIONS ARE IN INCHES TOLERANCES		CEC INDUSTRIES LTD			
DECIMALS	ANGULAR	599 BOND STREET		LINCOLNSHIRE, IL 60069	
.XX ± .05	± 0.5°	TITLE LIGHT BULB NO. 922F			
.XXX ± .010		SIZE A	FSCM NO.	DWG NO. 922F	REV 1
FRACTIONAL	± 1/64	SCALE	PLOT SCALE	SHEET 1 OF 1	
DRAWN ROSE MEDINA		DATE 06/26/2014		MATERIAL	
CHECKED		FILE 922F.pdf		DRAWING NOT TO SCALE	