

# 930 Series Miniature Bayonet Lampholders

## Overview

The 930 Series relampable miniature bayonet lampholders accommodate T-3 1/4 and T-2 incandescent lamps and T-3 1/4 neon lamps. This robust lampholder assembly may be ordered with many decorative lens styles, plating options and unique termination and mounting features.

## Approvals

UL Listed. For MIL Spec Lampholders, contact the factory

## Specification

**Housing:** Brass. Black nickel, bright nickel, polished chrome, or satin chrome finishes.

**Body:** High dielectric phenolic.

**Lockwasher:** Phosphor bronze. Nickel-plated.

**Hex Nut:** Brass. Nickel-plated.

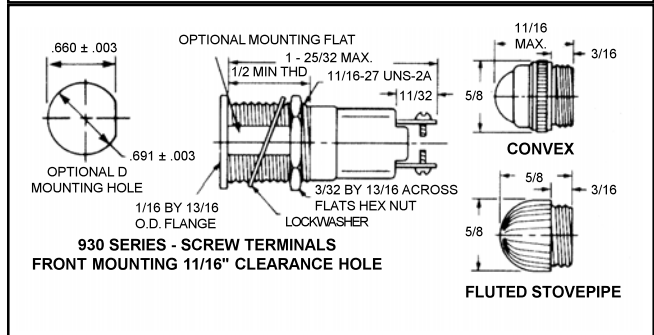
**Terminals:** Solder Lug: Brass, tin-plated. Screw Type: 4-40 brass, nickel-plated binding head screws.

**Wire Leads:** 6" leads, #22 AWG, black & white, stranded copper, PVC insulated, UL/CSA rated 105°C, stripped 1/2". Custom wire options are also available.

**Lens:** Heat resistant, high strength polycarbonate.

**Retainer:** Brass. Black nickel, bright nickel, polished chrome or satin chrome finishes available.

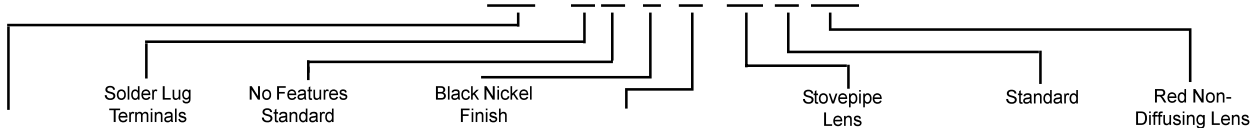
**930 Series Maximum Rating:** 3 Watts, 250 Volts.



## ORDERING INFORMATION:

Lampholders and lens caps may be ordered separately or as complete assemblies as shown in the example below:

**EXAMPLE: 9 3 0 4 0 4 X 71 0 RN**



Series Number	Lampholders				Lens Cap Assembly		
	Termination	Features	Finish	Resistor	Lens Style	Retainer	Lens Color
930	4 Solder Lug 5 Screw Type W Wire Leads	0 None Standard 2 <sup>1</sup> Drip Proof 3 <sup>1</sup> D Hole Mounting & Drip Proof	4 Black Nickel 5 Bright Nickel 7 Polished Chrome	X None (No resistor required with incandescent lamps) R 27K OHM	72 Flat <sup>3</sup>	4 Black Nickel 5 Bright Nickel 7 Polished Chrome	Nondiffusing
					82 Flat <sup>4</sup> 86 Flat Drip Proof <sup>3</sup> 87 Flat Drip Proof <sup>4</sup> 78 Convex <sup>3</sup> 88 Convex <sup>4</sup> 79 Convex Drip Proof <sup>3</sup> 89 Convex Drip Proof <sup>4</sup>		AT Amber BT Blue GT Green RT Red WT White YT Yellow
					No Retainer Required		
					71 Stovepipe <sup>3</sup> 73 Cylindrical <sup>3</sup> 74 Fluted Stovepipe <sup>5</sup> 75 Semi-Fluted Stovepipe <sup>5</sup>	0 Standard 8 Dripproof	Diffusing <sup>6</sup> AD Amber BD Blue CD Colorless GD Green RD Red YD Yellow

<sup>1</sup> These styles supplied with rubber washers for body and lens.  
<sup>2</sup> For proper resistor/neon lamp compatibility, table on back page.  
<sup>3</sup> Nondiffusing & translucent colors only.  
<sup>4</sup> Diffusing Colors only.  
<sup>5</sup> Nondiffusing colors only.  
<sup>6</sup> Not recommended for neon lamps.

# Mouser Electronics

Authorized Distributor

Click to View Pricing, Inventory, Delivery & Lifecycle Information:

VCC:

[930404X724WN](#)