

Gem L 4 PT

- Monopoint
- Round
- 1" Inner Aperture



Project:
Type:
Contact:



ORDERING INFO

S1 GL4PT

MODEL	Wattage	Kelvin	CRI	Beam	Lens	Color	Driver	Installation	I.P. Rating
GL4PT: Gem L 4 PT	03 : 03W	27 : 2700°	C : 90 D : VeroLux (CRI 97+ Contact your sales representative for ordering information. Check for ESD. 10 weeks lead if not in stock.)	5 : 50°	F : Frosted X : Hex Louver + Solite L : Cross Louver + Solite P : Prismatic S : Solite C : Clear	WS : Matte White BK : Matte Black WK : White Trim / Black Splay BP : Black Pearl SN : Satin Nickel BZ : Bronze CC : Custom Color	00 : No Driver	00 : No Housings (Option when product is installed in Low Voltage - Class 2)	D : Dry IP 20
	07 : 07W	30 : 3000°		3 : 36°			NO : Non-Dimmable		
	09 : 09W	35 : 3500°		2 : 24°			E0 : ELV Dimmable		
		40 : 4000°		1 : 15°			Z0 : 0-10V Dimmable to 1%(transformer and PWM must be remote)		
	WD : Warm Dim 1800K to 3000K (Not available with 3W)			S : 10° (Spot beam, 10° not possible with WD, TH, TD, and RGBW)			X0 : Eldo DMX(Remote-Mount Only Speak with Zaniboni Rep)		
	TD : Tunable White 2700K to 6500K (Daylight)						B0 : BubblyNet		
	TH : Tunable White 1800K to 4000K (Hospitality)						V0 : Low Voltage CC2CV (Price does not include power supply)		

Notes:

Driver must be remote.

Drivers are designed with universal input voltage compatibility, accommodating a range from 120V to 277V.

SPECIFICATIONS

LED Source

Tool-free field-replaced LED module. Propriety high performance aluminum extruded heatsink, anodized black for maximum LED life. 2 SDCM Binning for all static colors.

Beams

Computer-optimized reflector design, high reflected finish aluminum for 50°, 36°, 24°, 15°, and 10°. For the 10° beam angle option a Total Internal Reflection technology is used.

Body

The Gem's are high-performance track heads that are CNC machined from an extruded 6063 aluminum bar and then powder coated in our in-house facility. Powder coating is a process that applies a dry, powder-based coating to the surface of the metal, which gives the track head a durable and long-lasting finish. The track is available in a variety of sizes and finishes to meet your specific needs.

Fixture Retention

For information on retention of mud-in flange/ plaster flange, reference installation instructions.

Life

L80(10K): 55,000+ hrs at 80% of initial lumens. Operating temperature: -4°F to 104°F (-20°C +40°C).

Label

ETL listed for US Canada. CE labeled. CCC label available on request.

Warranty

5 years limited warranty.

<https://zanibonilighting.com/terms-and-conditions.html>

PERFORMANCE INFO

3000K Power 90 CRI Performance @ 24° Beam Angle CRI/CCT Multiplier

Performance Options	3W	7W	9W
Source Lumens [lm]	453	788	1025
Delivered Lumens [lm]	403	701	912
Efficacy [lm / W]	122	110	95
Multipliers	0.57	1	1.3

CRI/CCT Multiplier	2700°K	3000°K	3500°K
90 CRI	0.95	1.00	1.03
VeroLux	0.85	0.9	0.95

[Learn about VeroLux](#)

Beam Angle Variation by Lens/Film

Lens (Film) / Beam	10°	15°	24°	36°	50°
Clear	9.9°	16.1°	25.1°	34.3°	44.3°
Solite	10.8°	17.6°	25.5°	36.8°	49.5°
Frosted	-	-	53.1°	61.1°	71.1°

Center Beam Candlepower @7W

Beam-Lens (Film)	10°	15°	24°	36°	50°
Max Cd-Clear	7426.4	5630.7	3606.8	1746.6	1069.7
Max Cd-Solite	5394.7	4291	3193.3	1461	889.9
Max Cd-Frosted	-	-	649.2	505.9	389.6

Low Voltage / PoE Ready

Delivered lumens for voltage/current combinations

Voltage/Current	150mA	250mA	350mA	500mA	700mA
18V	338 lm	535 lm	701 lm	912 lm	-
36V	645 lm	912 lm	-	-	-

Splay Color Multiplier

White	Shadow Gray	Black
1.00	0.95	0.92

Warm Dim (1800K-3000K)

Power Performance @3000K 90CRI 24° Beam Angle

Power Options	7W
Source Lumens [lm]	639
Delivered Lumens [lm]	550
Efficacy [lm / W]	92

Warm Dim (1800K-3000K)

CCT Performance @7W 90CRI 24° Beam Angle

CCTs	1800K	2200K	2700K	3000K
Source Lumens [lm]	16	107	280	639
Delivered Lumens [lm]	14	92	241	550
Efficacy [lm / W]	70	88	89	92

Power Performance @3000K 90CRI 24° Beam Angle

Power Options	3W	7W	9W
Source Lumens [lm]	361	668	907
Delivered Lumens [lm]	311	574	780
Efficacy [lm / W]	94	91	89
Multiplier	0.54	1	1.36

CCT Performance @7W 90CRI 24° Beam Angle

CCTs	1800K	2700K	3000K	4000K	6500K
Source Lumens [lm]	463	667	656	716	753
Delivered Lumens [lm]	398	574	564	616	648
Efficacy [lm / W]	45	65	89	98	103

Light Loss Factor (LLF)

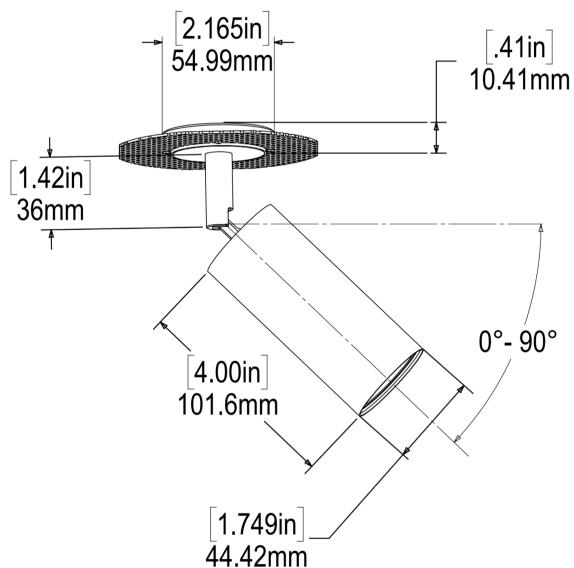
Delivered lumens @9W 3000K 90 CRI

Beam/Lens	10°	15°	24°	36°	50°
Clear	354	626	701	654	640
Hex Louvre + Solite	251	457	449	379	346
Light Loss Factor	0.71	0.73	0.64	0.58	0.54

Apply light loss factor (LLF) values to beam specific .IES files, LLF values are invariant to wattage. 10° is at 7W

DIMENSIONS / DRAWINGS

Luminaire without housing



Drivers

Non-Dimmable & ELV Drivers

Power Options	ELV & Non-Dimmable LxWxH (mm)	ELV & Non-Dimmable LxWxH (inch)
7W	70.5x34.5x25.0	2.77x1.35x0.98
9W-13W	85.2x38.0x27.5	3.35x1.50x1.08
18W-26W-36W	88.3x41.5x30.3	3.48x1.63x1.19

Non-Dimmable, ELV Drivers & 0-10V Dimmable

Power Options	0-10 V Dimmable LxWxH (mm)	0-10 V Dimmable LxWxH (inch)
7W	85.2x38.0x27.5	3.35x1.50x1.08
9W	85.2x38.0x25.2	3.35x1.50x0.99
13W-18W-26W-36W	88.3x41.5x30.3	3.48x1.63x1.19

INFO FOR DISTRIBUTORS

DRIVERS SHIP SEPARATE AS

Type	3W	7W	9W
N0	A1-ZL03C-035SM-08-12-17-N0N0	A1-ZL07C-070SM-08-12-17-N0N0	A1-ZL09C-02500-32-48-17-N0N0 A1-ZL09C-025RD-30-42-17-N0N0
Z0	A1-ZL03C-035SM-08-12-17-0T10	A1-ZL07C-070SM-08-15-17-0T10	A1-ZL10C-02500-06-40-17-0T10 A1-EL50C-250LG-02-55-17-TW0D
E0	A1-ZL03C-035SM-08-12-17-ELV0	A1-ZL07C-070SM-08-12-17-ELV0	A1-ZL09C-025RD-30-42-17-ELV0 A1-ZL09C-02500-32-48-17-ELV0
T0	A1-LU03C-035KS-08-20-12-LTED	A1-LU07C-070KS-08-20-12-LTED	A1-LU09C-025KS-30-54-12-LTED
X0			A1-EL50C-250LG-02-55-17-DX0D
D0			A1-EL30C-250LG-02-55-17-DALD
V24			A1-AL22C-050MI-12-48-10-PWMD
V48			A1-AL16C-025MI-12-48-10-PWMD
L2			A1-LU50C-250YS-08-54-17-PWMD
Z2			A1-EL50C-250LG-02-55-17-TW0D