

## ALC6 Series

### LED Linear Industrial Low Bay

The **Albeo® ALC6** Series is an efficient alternative to less decorative linear fixtures for a variety of commercial and industrial lighting uses. The sleek, extruded design is also attractive for retail and commercial settings as well. ALC6 can be matched with Daintree® controls. Designed to meet recommended luminance and illuminance requirements for low bay and task level lighting applications, a wide diffuser option is available for parking garage & general lighting applications as well.



### Construction

<b>Housing:</b>	Aluminum extruded body
<b>Lens:</b>	Polycarbonate diffused, acrylic clear
<b>Paint:</b>	Powder coat post painted <i>No glass in housing or lenses</i>
<b>Weight:</b>	4 ft. - 11lbs max; 8 ft. - 19lbs max

### Optical System

<b>Lumens:</b>	2000–20000
<b>Distribution:</b>	120° Diffused Lens & 160° Wide Clear Lens
<b>Efficacy:</b>	Up to 160 LPW
<b>CCT:</b>	3000K, 3500K, 4000K, 5000K
<b>CRI:</b>	80 CRI Standard (90CRI Contact factory for lead-times)

### Electrical

<b>Input Voltage:</b>	120–277 V, 347 V, & 480 V
<b>Input Frequency:</b>	50/60Hz
<b>Power Factor (PF)*:</b>	>90%*
<b>Total Harmonic Distortion (THD)*:</b>	<20%*
<b>EMI:</b>	FCC CFR Title 47 Part 15, Class A
<b>LED Driver Type:</b>	Class 2, 3kV surge protection

\* PF and THD may vary with options

### Controls

<b>Sensors:</b>	High-end trim, occupancy and ambient light detection with dimming available. Wireless Daintree® options available.
<b>DLC 5.1</b>	Integrated/embedded networked lighting control,
<b>LLLC:</b>	luminaire-level lighting control (LLLC)

### Ambient Temperature

TYPE	TEMPERATURE RATE
<b>OPERATING TEMPERATURE</b>	-30°C to +50°C (-22°F to 122° F)
<b>STORAGE TEMPERATURE</b>	-40°C to +70°C (-40°F to 158° F)

### Lumen Maintenance

<b>LXX(10K) @ Hours</b>	100,000 HR
<b>L70</b>	
<b>TM-21 Calculation at 25°C: L90 @ 100,000 hrs</b>	

### Mounting

- **Typical Mounting:** Standard Chain/Cable or Surface mount ready
- **Standard: knockout access (no cord, no plug)**
  - 6 ft. 18-3 – Cord A
  - 12 ft. 18-3 – Cord B
  - 15A, 20A, Straight or twist lock plug – Plug A, B, C, or D

### Design Life & Warranty

- **Reliability Testing:** Components and/or systems evaluation at extreme conditions and monitored during production.
- Please refer to the DLC QPL website for the latest and most complete information: <http://www.designlights.org/QPL>
- UL 1598 Suitable for Damp Locations
- RoHS compliant
- **Current's Limited 5-year Warranty:** See website.

### Ordering Information

**ALC6**

**T**

**W**

PRODUCT ID	VOLTAGE	FIXTURE LENGTH	LUMEN OUTPUT	PERFORMANCE LEVEL	LED COLOR TEMP	OPTICS BEAM	FIXTURE TYPE	SENSOR/WIRELESS	EMERGENCY	MOUNTING	CORD	PLUG	FINISH	OPTIONS
ALC6 = Albeo Linear ALC Series 6th Gen	0 = 120-277 1 = 120* 4 = 277* D = 347* 5 = 480*	4T = 4 ft	02 = 2,000 03 = 3,000 04 = 4,000 05 = 5,000 06 = 6,000 08 = 8,000 10 = 10,000	T = Standard Efficiency	80 Plus CRI 38 = 3000K C8 = 3500K 48 = 4000K 58 = 5000K 90 Plus CRI 39 = 3000K C9 = 3500K 49 = 4000K 59 = 5000K	Diffused Lens = Maximum Glare Reduction 1D = 120° Diffused Lens WC = Wide Clear 160° Parking Garage Optic	S' = Stand Alone C' = Continuous Runs Note = For Continuous Runs, Starter Kit 93094637 must be ordered for each run.	QQ = Dimming leads not externally accessible QV = 0-10V Dimming Daintree® Networked; NA = Occupancy & Ambient Light Sensor, w/ Continuous Dimming (full feature) 1 TQ = Wireless Daintree® Enabled (no sensor) Daintree® EZ Connect: DF = Occupancy & Ambient light sensor w/ Continuous Dimming 1 Daintree® One: FB = Occupancy & Ambient Light Sensor with Continuous Dimming 1 3rd Party Options QA = Occupancy Sensor, ON/Off 360° LSXR, No External Wiring QB = Occupancy Sensor Continuous Dimming 360° LSXR QP = Daylight Sensor w/ occupancy ON/Off LSXR, No External Wiring, Full Featured QW = Bi-Level Dimming Stairwell Setting Sensor	Q = None E = Battery Backup Note = Battery Backup not available at 347/480V	ST = Standard 51 = Cable/Tongle 5ft. 52 = Cable/Tongle 10ft. 53 = Cable/Tongle 15ft.	K = Knockout A = 6ft. 18ga cord B = 12ft. 18ga cord	Q = None A = 15A Straight Plug 2 B = 20A Straight Plug 2 C = 15A Twistlock Plug 2 D = 20A Twistlock Plug 2	W = White Powder Coat	Blank = No Special Options 1PK = Single Pack (For distributor stocking. Default is job pack not 1PK).
		8T = 8 ft	04 = 4,000 06 = 6,000 08 = 8,000 10 = 10,000 12 = 12,000 16 = 16,000 20 = 20,000											

80 CRI @ 5000K CCT					
FIXTURE LENGTH	OUTPUT LUMENS	TYPICAL DELIVERED LUMENS	TYPICAL POWER		TYPICAL LPW 120-277V
			120-277V	347/480V	
4 ft	2,000	2,000	14	16	143
4 ft	3,000	3,000	20	22	150
4 ft	4,000	4,000	27	29	148
4 ft	5,000	4,900	34	36	144
4 ft	6,000	5,900	42	44	140
4 ft	8,000	7,800	59	67	132
4 ft	10,000	9,600	80	87	120
8 ft	4,000	4,000	25	28	160
8 ft	6,000	6,000	38	41	158
8 ft	8,000	7,900	52	60	152
8 ft	10,000	9,900	67	75	148
8 ft	12,000	11,800	83	91	142
8 ft	16,000	15,600	118	129	132
8 ft	20,000	19,200	159	173	121

#### ORDERING NOTES:

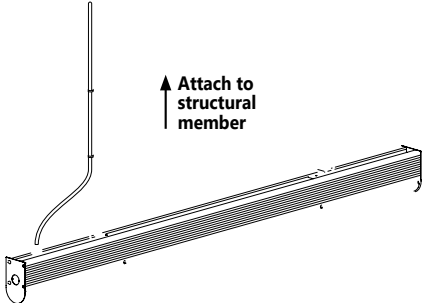
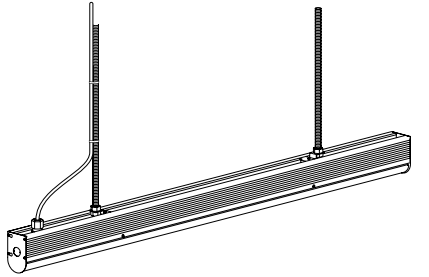
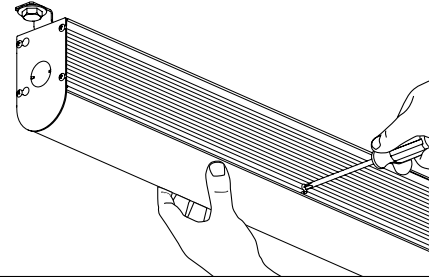
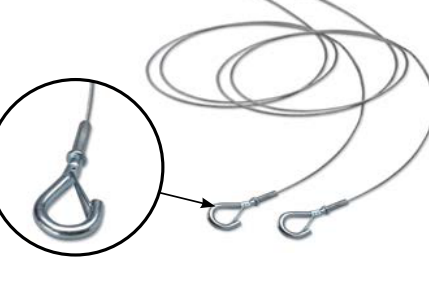
- DF, FB, and NA only available for Stand Alone fixture type. For Continuous Row fixture type, QQ or QV sensor and control wiring is available, or TQ wireless sensor
- Must specify discrete voltage. See NEMA Plug Type table.

CRI	CCT	T OUTPUT
80 CRI	5000K	100%
	4000K	98%
	3500K	97%
90 CRI	3000K	93%
	5000K	89%
	4000K	85%
	3500K	83%
	3000K	81%

ACCESSORIES, OPTIONS & PACKAGING	
<b>Emergency Battery:</b>	Integral EM battery option provides 90-minutes of emergency lighting. Design lumen output: 2000lm at 5000K 80CRI.
<b>Packaging:</b>	Standard packaging is job pack/bulk pack consisting of 1 to 4 fixtures per package reducing unpack time at the job site. Single Pack (for stocking)—Option 1PK
<b>Wire guards:</b>	White painted wire guard for added protection. Easy field installation. SKU# 93095697 <i>Two kits needed for 8ft fixtures</i>
<b>Continuous Run:</b>	One starter kit needed per run. SKU# 93094637. Each kit includes endcaps, starter whip, and male/female orientation adapter.

NEMA PLUG TYPE				
VOLTAGE	A (15A STRAIGHT)	B (20A STRAIGHT)	C (15A TWIST LOCK)	20D (1 A TWIST LOCK)
120	5-15P	5-20P	L5-15P	L5-20P
277	7-15P	7-20P	L7-15P	L7-20P
347	24-15P	24-20P	N/A	L24-20P
480	N/A	N/A	N/A	L8-20P

## Mounting and Accessory Options

MOUNTING OPTIONS	IMAGE	ORDER LOGIC CODE
<p><b>Standard Chain/Cable Mount</b> Available on all fixture configurations (chain not included). Cable w/ hook can be ordered as an accessory.</p>	 <p>↑ Attach to structural member</p>	<p><b>ST = Standard</b></p>
<p><b>Rod Mount (Optional)</b> Available with all fixture configurations. Standard mounting option is rod mount ready. Attaches to 1/2" threaded rod (rod and nuts not included)</p>		<p><b>ST = Standard</b></p>
<p><b>Surface Mount (Optional)</b> Available on all fixture configurations. Standard mounting option is surface mount ready.</p>		<p><b>ST = Standard</b></p>
<p><b>Cable with Toggle (Optional)</b> Order separately. 5 ft., 10 ft., 15 ft., lengths available.</p>		<p><b>51 = Cable/Toggle 5 ft. - Pair</b> <b>52 = Cable/Toggle 10 ft. - Pair</b> <b>53 = Cable/Toggle 15 ft. - Pair</b> Max Load 200 lbs. Per Pair</p>

**CUSTOMER NAME**

Project Name \_\_\_\_\_

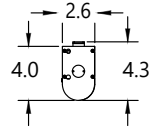
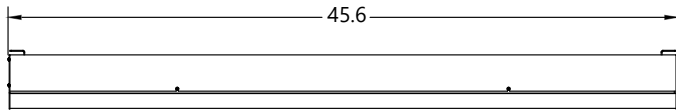
Date \_\_\_\_\_ Type \_\_\_\_\_

Catalog Number \_\_\_\_\_

**Product Dimensions**

---

**4 Ft.**



**8 Ft.**

