

ANP90 Series - 277V

Class II Single Channel LED Power Supply



Features and Applications:

- One Single Class II DC Output
- Highly Efficient Switching-Mode Technology
- Active PFC (Power Factor Corrected)
- Built For Outdoor Wet, Damp or Indoor Dry Applications
- Silicone Encapsulated For Wet Locations (Use UV approved Water-Tight Conduit and Fittings)
- Built-in EMI Filter For Low Noise
- Rugged Rain-Proof Aluminum Extruded Case - IP65 Rated
- Over-Current and Over-Voltage Protection With Auto-Recovery
- Output Voltage / Current Adjustable on P and PY series (See Order Information on Page 2.)

All specifications are typical at nominal input, full load, at 25°C unless otherwise stated.

Electrical Specifications

INPUT

Input Voltage Range	90 - 277Vac
Frequency	47 - 63Hz
Input Current	max. 1.3A@115Vac/60Hz,full load
Inrush Current	60A @230Vac input/60Hz,full load
Efficiency	≥85% typ.@full load, input 230Vac
Power Factor	≥0.95 at full load 115Vac

OUTPUT

Output Voltage Adjustment	-20% ~ +10% (only on P and PY)
Leakage Current	0.2mA @110Vac,0.4mA @230Vac
Low Ripple & Noise Voltage	< 1% V output
Over Voltage Protection	<130% nominal voltage
Short Circuit Protection	Shutdown & Auto Recovery.
OTP Protection	85°C ± 5°C @ Ambient Temp.
Start-up time	< 2 sec.

Safety Certifications

UL UL60950-1, UL1310 (Wet), UL8750, UL935

UL UL879 (Sign Component Manual)

Approved to FKSZ2 (LED Display Driver)

TUV EN60950-1, IP65



CE



General Specifications

Isolation Voltage	3000V AC
Switching Frequency	75K Hz
Weight	1.3 Kg (2.86lbs.) max.
Warranty Info	5 year
MTBF	> 100,000 Hours at 25° C
Robust Design	Guaranteed Full Load at 70° C Derate to 50% at 80° C UL Class II Wet Location

Environmental Specifications

Operating Temp.	-40°C to +70°C full load
Derating Temp.	50% at +80°C
Storage Temp.	-40°C to +85°C
Relative Humidity	5% to 95% (non-Condensing)
Enclosure	Outside case sealed per IP65
Cooling	Convection
RoHS	Compliant

EMC

Conducted Emissions	EN55022,FCC part 15 level B
Radiated Emissions	EN55022,FCC part 15 level B

Amperor Inc.
11320 Neeshaw Dr.
Houston, TX 77065
1-281-807-3320
<http://www.amperor.com>

Amperor Europe Ltd..
30 Ballot Road
Irvine KA12 OHW Scotland, UK
44-(0)-1294-272400
<http://www.amperor.co.uk>

Intertek Corp., an Amperor Company
4th, Fl, Far East World Center
Hsin Tai Wu Road, Hsin-Chin
Taipei, Taiwan R.O.C.
886-2-2698-2239

ANP90 Series - 277V

Class II Single Channel LED Power Supply



Order Information

Table1: ANP90 Series Model Output Specifications

Model	Output Voltage	# of Channels	Voltage Adjustment on-board Pot	Current Adjustment on-board Pot	OCP Trip Point	Max. Output Power Watts
ANP90-12P-277	+ 12V	1	-20 / +10 %	-70 / +0 %	5A	60W
ANP90-12PY-277	+ 12V	1	-20 / +10 %	-70 / +0 %	5A	60W
ANP90-15P-277	+ 15V	1	-20 / +10 %	-70 / +0 %	5A	75W
ANP90-15PY-277	+ 15V	1	-20 / +10 %	-70 / +0 %	5A	75W
ANP90-19P-277	+ 19V	1	-20 / +10 %	-70 / +0 %	4.73A	90W
ANP90-19PY-277	+ 19V	1	-20 / +10 %	-70 / +0 %	4.73A	90W
ANP90-24P-277	+ 24V	1	-20 / +10 %	-70 / +0 %	3.75A	90W
ANP90-24PY-277	+ 24V	1	-20 / +10 %	-70 / +0 %	3.75A	90W
ANP90-24P1-277	+ 23V	1	N.A.	N.A.	4.2A	97W
ANP90-24P1Y-277	+23V	1	N.A.	N.A.	4.2A	97W
ANP90-30P1-277	+ 30V	1	N.A.	N.A.	3.2A	96W
ANP90-30P1Y-277	+ 30V	1	N.A.	N.A.	3.2A	96W

Notes:

1. The DC output channel will automatically shut down and auto-recover after an over-current limit (OCP) trip event.
2. Output Voltage and current are adjustable on P and PY version. They are not adjustable on P1 and P1Y version.
3. Y version indicates that the wiring chambers are installed on the power supply.

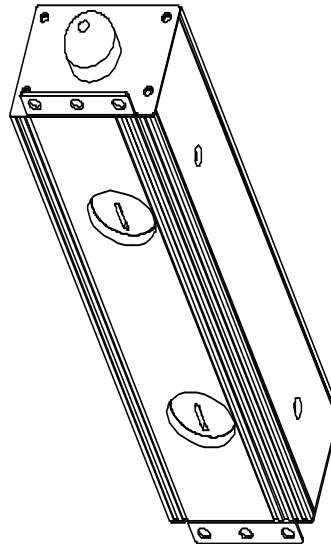
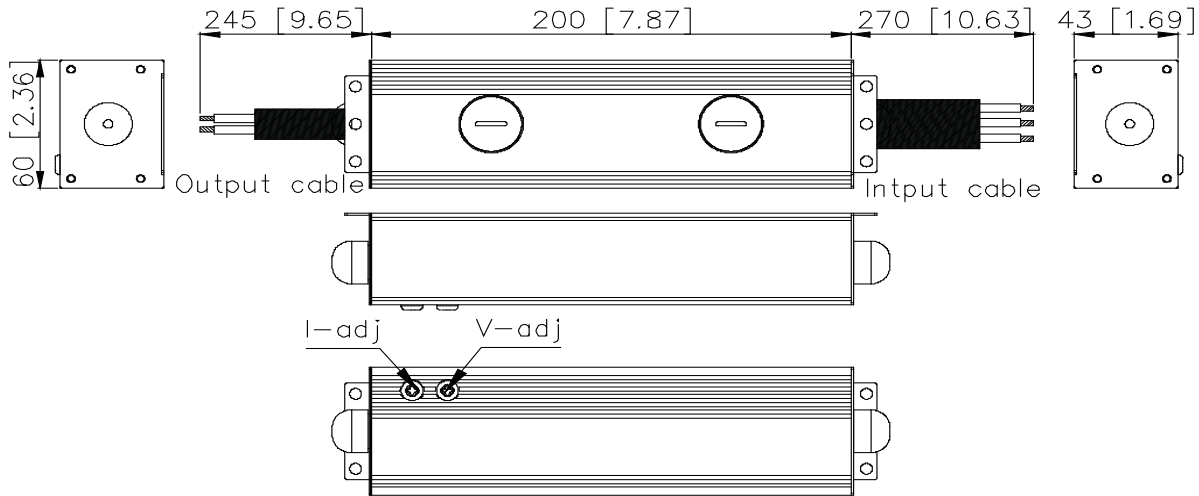
ANP90 Series - 277V

Class II Single Channel LED Power Supply



Mechanical Information

Model: ANP90-XXP-277 and ANP90-XXP1-277



Notes: All dimensions in mm. (inch.)

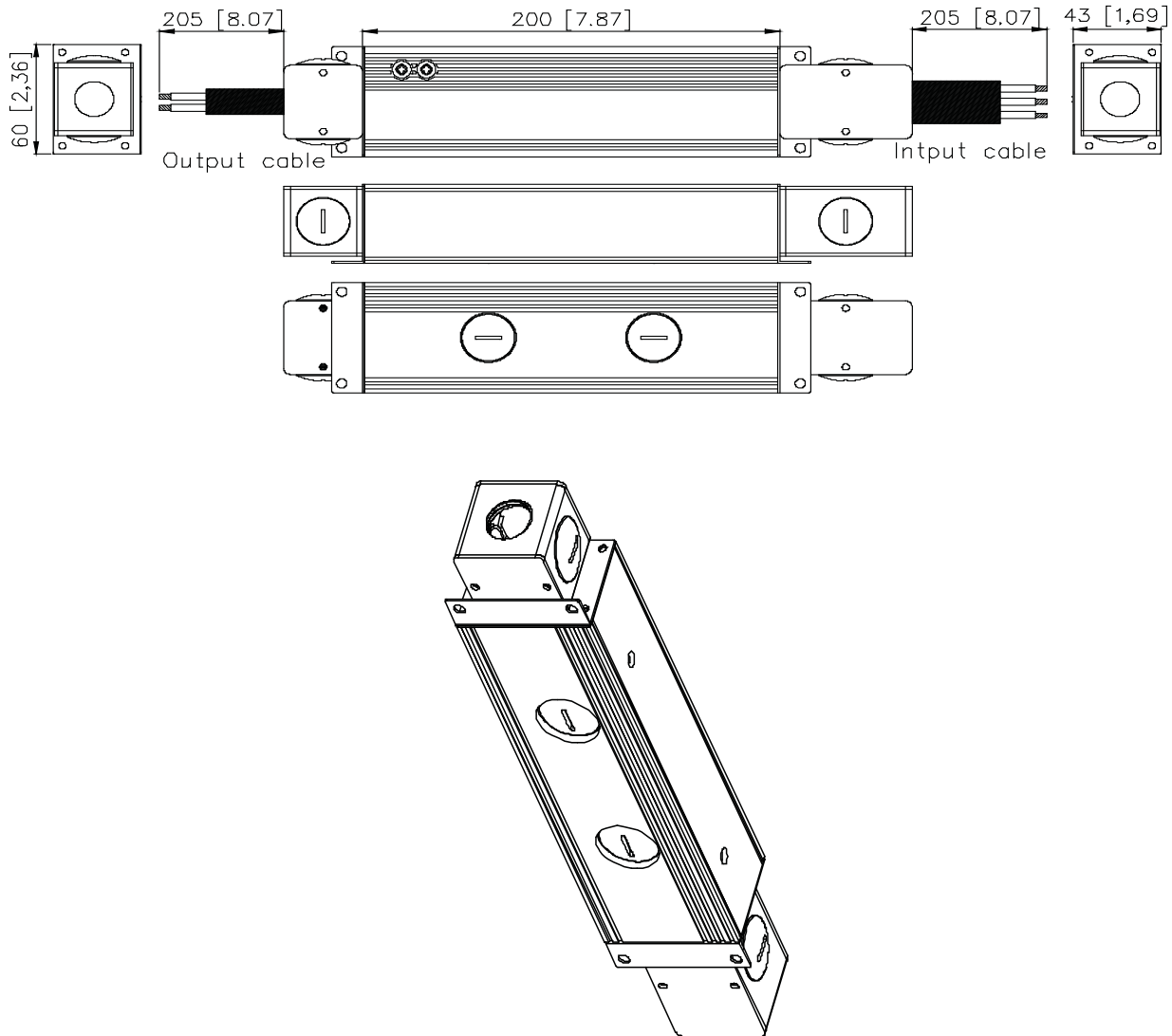
ANP90 Series - 277V

Class II Single Channel LED Power Supply



Mechanical Information

Model: ANP90-XXPY-277 and ANP90-XXP1Y-277



Notes: All dimensions in mm. (inch.)

Amperor, Inc. DataSheet © 2009

The information and specifications contained in this data sheet are believed to be accurate at time of publication. Specifications are subject to change without notice.

Amperor Inc.
11320 Neeshaw Dr.
Houston, TX 77065
1-281-807-3320
<http://www.amperor.com>

Amperor Europe Ltd..
30 Ballot Road
Irvine KA12 OHW Scotland, UK
44-(0)-1294-272400
<http://www.amperor.co.uk>

Intertek Corp., an Amperor Company
4th, Fl, Far East World Center
Hsin Tai Wu Road, Hsin-Chin
Taipei, Taiwan R.O.C.
886-2-2698-2239