

SYLVANIA Luminaires

Dusk to Dawn



Product Features

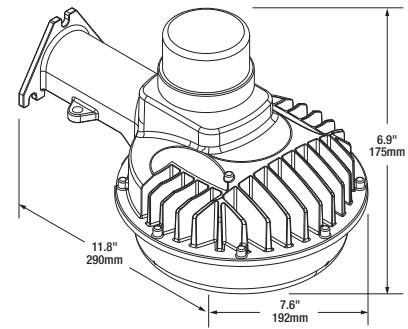
- Traditional, compact, lightweight design
- Easy to install
- Energy savings up to 79%
- Included NEMA photosensor included for additional energy savings
- Applications: general area lighting, yards, docks, barns, service roads, security lighting

Wattage Comparison Chart

Dusk to Dawn Traditional Source	Traditional System Wattage	LED System Wattage	Energy Savings
35W HPS	42	20	52%
50W HPS	62	20	68%
70W HPS	91	20	78%
70W HPS	91	40	56%
100W HPS	120	40	67%
100W MH	130	40	69%
150W HPS	170	40	76%
150W MH	188	40	79%

Catalog #	Type
Project	
Notes	
Date	
Prepared by	

Dimensions



Specifications

Weight: 2.8 lbs (1.3 kg)

Construction: Cast aluminum alloy housing with UV stabilized powder coat paint finish and UV stabilized polycarbonate lens. The standard color is grey.

LED System: LED system with a life rating of $\geq 135,000$ hours at L_{70} @25°C. Luminaire efficacy up to 126 LPW.

Electrical: Offered in 20 and 40 Watts, the luminaire is designed to operate through the 120-277 V_{AC} voltage. The LED driver has a 4kV surge suppression and is a constant current device, meeting UL1310 and UL48 Class 1 with built-in over temperature protection. The power factor is $\geq 90\%$ and THD is $\leq 20\%$.

Color Characteristics: CRI > 80 ; CCT of 4000K or 5000K.

Optics: Type V distribution with diffuse UV stabilized polycarbonate lens.

Installation: Wall or pole mounted; additional mounting arm extension available.

Operating Temperature: -40°F to +104°F (-40°C to +40°C).

Listings: cULus listed to UL1598 standards for wet locations.

Warranty: Standard 5-year luminaire warranty (LEDLUM001).

Note: Specifications subject to change without notice. IES files available online.



Ordering Guide

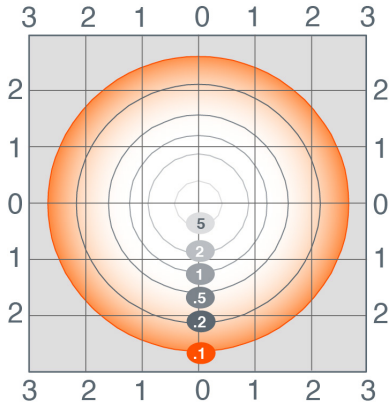
Item Number:

<input type="text"/>	<input type="text"/>	/	<input type="text"/>	<input type="text"/>	<input type="text"/>	/	<input type="text"/>	/	<input type="text"/>		
AREADTD	1A		XXX	UNV	8		XX		NC		GR
Product Name	Generation		Wattage	Voltage	CRI		Color Temp (CCT)		Distribution		Color/Finish
AREADTD	1A		020 = 20 Watts 040 = 40 Watts	UNV = 120-277V	8 ≥ 80		40 = 4000K 50 = 5000K		NC = Non-Cutoff		GR = Grey

Photometric Data

AREADTD1A/040UNV840/NC/GR

Isofootcandle Lines at 15' Mounting Height



Ordering Information

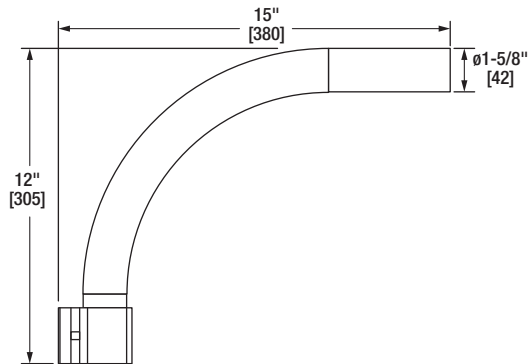
Item Number	Ordering Abbreviation	Power (W)	Input Voltage	Dimming	CRI	Color Temp (CCT)	BUG Rating	Total Fixture Lumens	LPW*	DLC**
60238	AREADTD1A/020UNV840/NC/GR	20	120-277	0-10V	>80	4000K	B1-U1-G1	2300	123	Std
60239	AREADTD1A/020UNV850/NC/GR	20	120-277	0-10V	>80	5000K	B1-U1-G1	2300	123	Std
60110	AREADTD1A/040UNV840/NC/GR	40	120-277	0-10V	>80	4000K	B2-U2-G1	4600	126	Std
60111	AREADTD1A/040UNV850/NC/GR	40	120-277	0-10V	>80	5000K	B2-U2-G1	4600	126	Std

*LPW per LM79 report

**Std for DLC Standard

Accessories and Replacement Parts

Item Number	Ordering Abbreviation	Item Description
60127	AREADTD1A/ARM/24	Mounting Arm



LEDVANCE LLC

200 Ballardvale Street

Wilmington, MA 01887 USA

Phone 1-800-LIGHTBULB (1-800-544-4828)

www.sylvania.com

SYLVANIA and LEDVANCE are registered trademarks.

All other trademarks are those of their respective owners.

Licensee of product trademark SYLVANIA in general lighting.

Specifications subject to change without notice.

