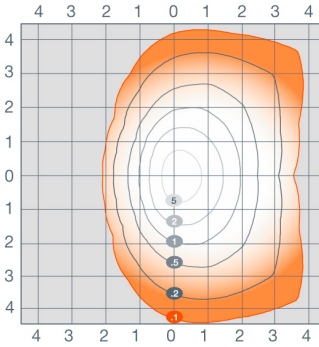


Photometric Information (continued)

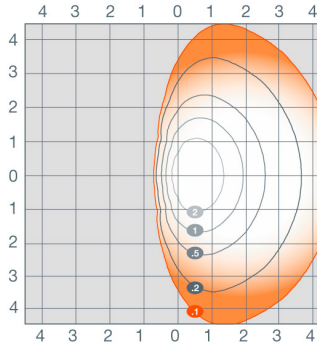
Mounting height = 20 ft

Mounting angle = 45° (where indicated)

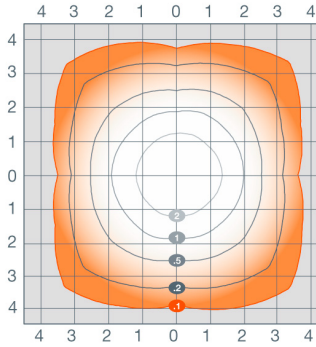
AREAFLD2A-300W-T4



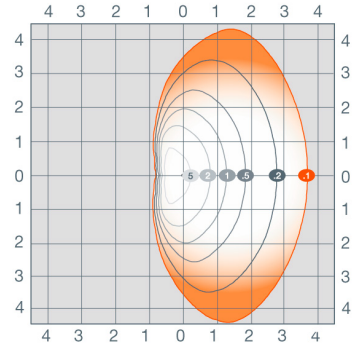
AREAFLD2A-300W-T4 at 45° tilt



AREAFLD2A-300W-T5

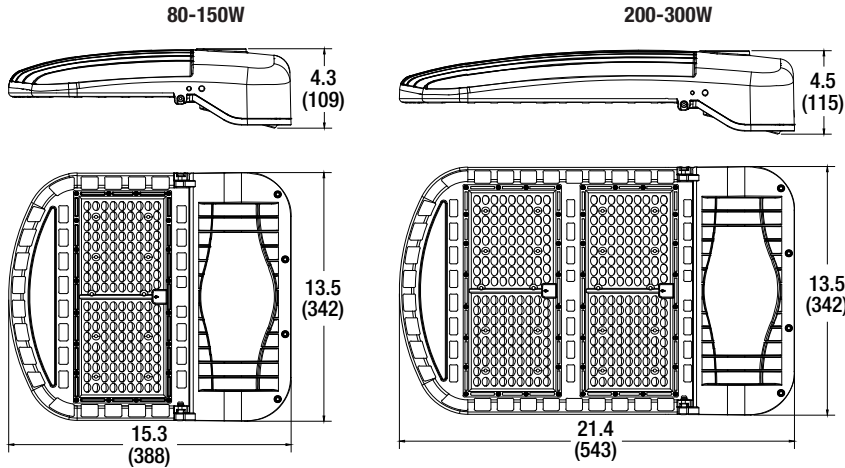


AREAFLD2A-300W-T5 at 45° tilt



Physical Information

Luminaire Description	Length	Width	Height	EPA (no knuckle, pole mount)	EPA (with knuckle mounted at 45° (slipfitter))
Area Light 80-150W	15.3" (388mm)	13.5" (342mm)	4.3" (109mm)	0.35ft ²	1.14ft ²
Area Light 200-300W	21.4" (543mm)	13.5" (342mm)	4.5" (115mm)	0.52ft ²	1.62ft ²



Dimensions in inches (mm)

Mounting Accessories

Item Number	Ordering Abbreviation	Item Description
61875	AREAFLD2A/WALLMOUNT/BZ	Wall Mount, Bronze
61876	AREAFLD2A/POLEMOUNT/BZ	Pole Mount, Bronze
61877	AREAFLD2A/SLIPFITTER/BZ	Slip Fitter Mount, Bronze
61878	AREAFLD2A/TRUNNION/BZ	Trunnion Mount, Bronze
61879	AREAFLD2A/YOKEMOUNT/BZ	Yoke Mount, Bronze
61880	AREAFLD2A/VISOR01/BZ	Visor for 80, 100, and 150W luminaires
NEMA Photocontrols		
61393	AREAFLDXA/NEMAPHOTOCELL/UNV	NEMA locking photocell, 120-277V
61394	AREAFLDXA/NEMAPHOTOCELL/347	NEMA locking photocell, 347V
61395	AREAFLDXA/NEMAPHOTOCELL/480	NEMA locking photocell, 480V

AREAFLD2A/WALLMOUNT/BZ



AREAFLD2A/POLEMOUNT/BZ



AREAFLD2A/SLIPFITTER/BZ



AREAFLD2A/TRUNNION/BZ



AREAFLD2A/YOKEMOUNT/BZ

