



LED BULLET FLOODLIGHT with knuckle

Standard Series

ASD LED Bullet Flood light uses the latest in solid state lighting technology for high efficiency, long life and low maintenance. It's good for facade, landscape and sign lighting applications. Our LED Bullet Flood Light features a swivel arm for precise angle adjustment.

Sealed to keep out dirt, bugs and moisture, the Bullet Floods are constructed with a precision die-cast aluminum housing and tempered, shatter-resistant glass for a sleek appearance and maximum durability. Our floodlights can be mounted directly to electrical boxes or to poles with 1/2" threaded inserts.

FEATURES AND BENEFITS:

- ▶ Fantastic energy savings when compared to halogen and CFL floodlights
- ▶ Resistance to high and low temperatures
- ▶ 1/2" NPS threaded locking swivel arm
- ▶ No maintenance costs
- ▶ Suitable for uplighting & downlighting
- ▶ Suitable for wet locations
- ▶ L-70 Life > 75,000 hrs
- ▶ DesignLights Consortium (DLC) listed (Classification: Standard)
- ▶ cULus certified
- ▶ 5-year limited warranty



ORDERING MATRIX:

Family	Knuckle	Watts	Dimming Compatible	CCT	Finish
ASD-BFL	A	XX	N	XX	X
LED Bullet Floodlight	with knuckle	15 = 15 W 28 = 28 W	Non-dimmable	3,000 K 5,000 K	Blank = Black B = Bronze

LED BULLET FLOODLIGHT WITH KNUCKLE:

Model	Watts	Dimming Compatible	CCT	Lumens	Dimensions (LxWxH)
ASD-BFL-A15N30B	15 W	No	3,000 K	1,540 lm	5"x4.3"x3"
ASD-BFL-A15N50	15 W	No	5,000 K	1,700 lm	5"x4.3"x3"
ASD-BFL-A28N30B	28 W	No	3,000 K	2,770 lm	7.7"x5.8"x4.5"
ASD-BFL-A28N50	28 W	No	5,000 K	3,200 lm	7.7"x5.8"x4.5"



LED BULLET FLOODLIGHT with knuckle

Standard Series

PRODUCT SPECIFICATIONS:

Construction & Materials				
Construction & Materials	Aluminum			
Housing	Aluminum			
Reflector	Aluminum			
Lens	High light transmittance >95% PC lens			
Mounting	½" NPS threaded locking swivel arm			
Finish Color	Black, Bronze			
Weight	ASD-BFL-A15N30B	0.95 lbs (0.43 kg)	ASD-BFL-A28N30B	2.18 lbs (0.99 kg)
	ASD-BFL-A15N50		ASD-BFL-A28N50	
Environmental System				
Work Environment	Suitable for Wet Locations			
Operating Temperature	-40-104°F (-40-40°C)			
L-70 Life	> 75,000 hrs			
Optical System				
Luminous Flux	ASD-BFL-A15N30B	1,540 lm	ASD-BFL-A15N50	1,700 lm
	ASD-BFL-A28N30B	2,770 lm	ASD-BFL-A28N50	3,200 lm
Color Temperature	3,000 K, 5,000 K			
CRI	>80			
Electrical System				
Input Voltage	100~277VAC 50/60 Hz			
Max input current	ASD-BFL-A15N30B	0.18A	ASD-BFL-A28N30B	0.35A
	ASD-BFL-A15N50		ASD-BFL-A28N50	
Inrush current	20A			
Action time (Inrush current)	500ms			
AC input range	min 90 V max 305 V			
Off State Power	0 W			
Power Consumption	ASD-BFL-A15N30B	15 W	ASD-BFL-A28N30B	28 W
	ASD-BFL-A15N50		ASD-BFL-A28N50	
Power Factor	≥ 0.95			
Output voltage	60 V			
Max output current	ASD-BFL-A15N30B	250mA	ASD-BFL-A28N30B	500mA
	ASD-BFL-A15N50		ASD-BFL-A28N50	
Warranty & Certifications				
5-year limited warranty				
DesignLights™ Consortium (DLC) listed				
cULus certified	E473804			

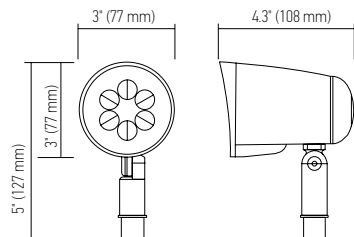
The LED Bullet Floodlight is designed to install as a surface mounted luminaire.



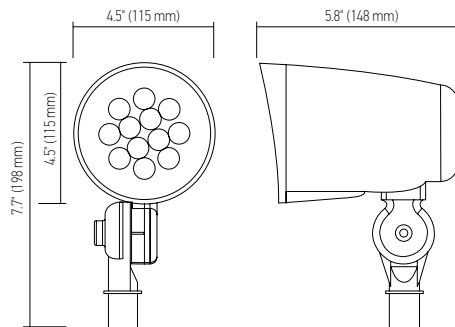
LED BULLET FLOODLIGHT with knuckle

Standard Series

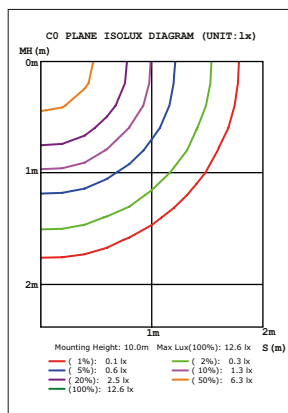
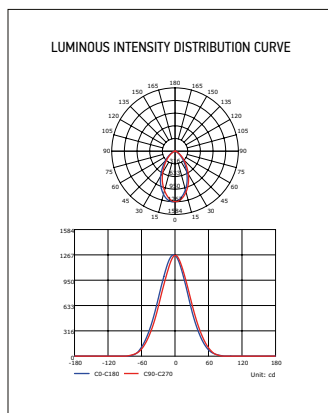
15 W



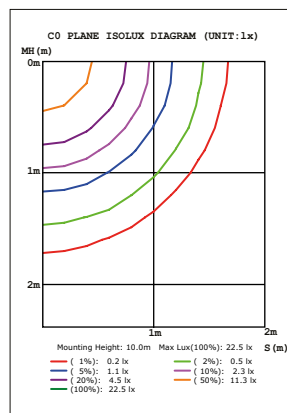
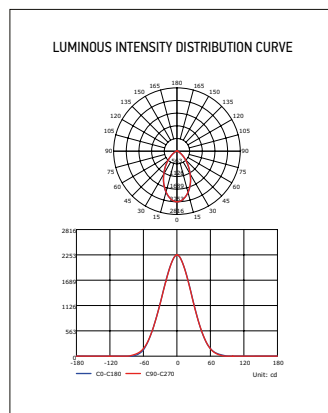
28 W



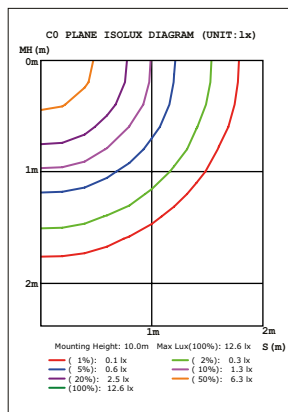
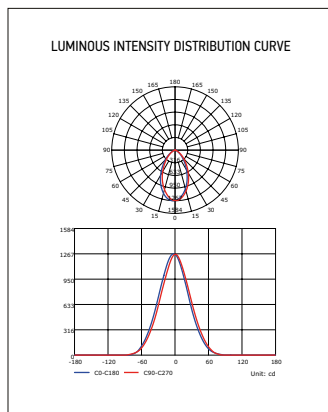
ASD-BFL-A15N30B



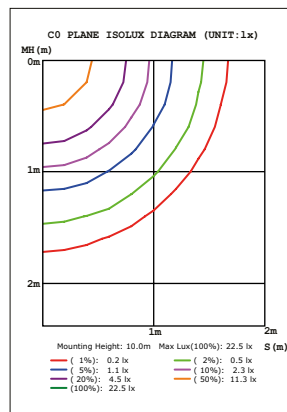
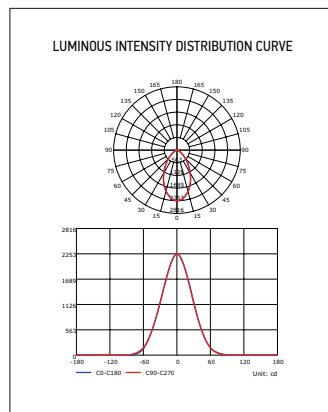
ASD-BFL-A28N30B



ASD-BFL-A15N50



ASD-BFL-A28N50





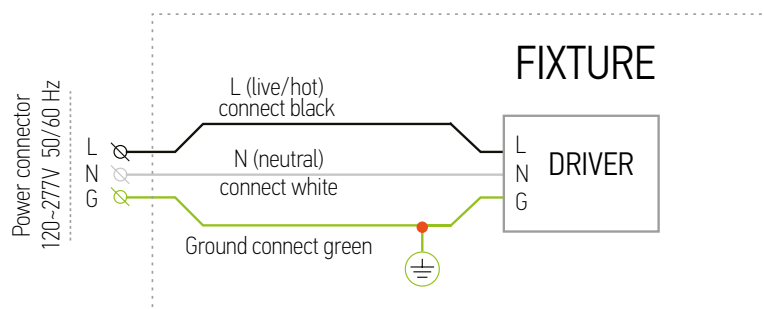
LED BULLET FLOODLIGHT with knuckle

Standard Series

PACKAGE CONTENTS:

Description	Q-ty
LED Bullet Floodlight with knuckle Fixture	1
Box	1
Installation Instructions	1

ELECTRICAL SCHEMATIC DIAGRAM



⚠ WARNING

RISK OF PERSONAL INJURY – READ and follow all WARNINGS and installation instructions.

Keep or give to the owner for future reference.

Risk of cuts: Wear gloves to prevent cuts or abrasions when removing from carton, handling, installing, and maintaining this product.

Risk of electric shock: This product must be installed in accordance with the applicable installation code by a person familiar with the construction and operation of the product and the hazards involved.

Risk of Fire: Minimum 90°C supply conductors. Consult a qualified electrician to ensure correct branch circuit conductor.

ASD® assumes no responsibility for claims arising out of improper or careless installation or handling of this product.

For recessed installation: Access above ceiling required. Inherently protected. Vapor barrier must be suitable for 90°C.



LED BULLET FLOODLIGHT with knuckle

Standard Series

INSTALLATION GUIDE

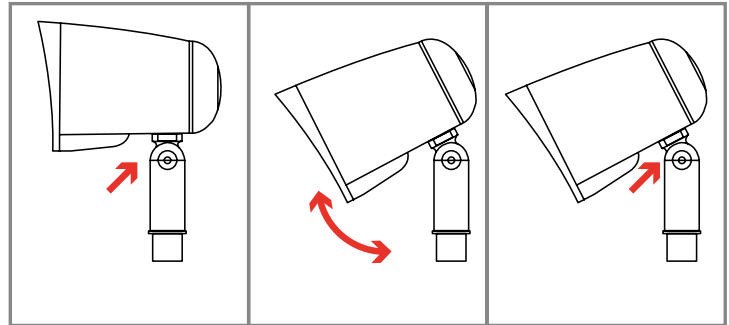
IMPORTANT SAFETY INFORMATION:

Please read all the instructions below before installation.

- ▶ Make sure that the supply voltage corresponds to the rated product voltage.
- ▶ The product must be installed by a qualified electrician in accordance with the National Electrical Code and corresponding local codes.
- ▶ If the product is damaged, do not use it.

INSTALLATION GUIDE

1. Turn off the main power.
2. Adjust the arm (the arm allows you to choose the necessary light direction and to set the desired angle of a lighting fixture):



Use a wrench to loosen the screw on the arm

Adjust the arm to your desired angle

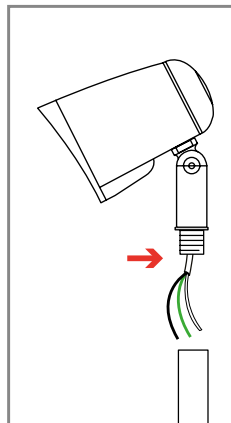
Tighten the screw

3. The floodlight can be mounted directly to an electrical box or to a pole with a 1/2" threaded insert.

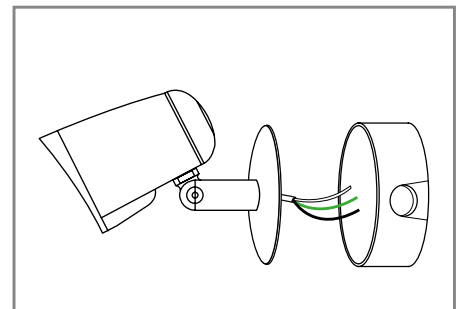
Connect the black (hot), white (neutral) and green (ground) wires from the fixture to the existing wires in a properly installed and grounded UL listed junction box for power with suitable strain relief for power cord.

4. Turn on the main power. Installation is finished.

POLE MOUNTING



WALL MOUNTING





LED BULLET FLOODLIGHT with knuckle

Standard Series

ORDERING INFORMATION

LED BULLET FLOODLIGHT WITH KNUCKLE ORDERING INFORMATION:

Model	Watts	UPC	GTIN 14	Product Code	Pcs in one Carton	Carton Size	Carton Weight
ASD-BFL-A15N30B	15 W	819201021529	10819201021526	024.0133	12	13.58"x9.25"x10.23"	14.3 lbs
ASD-BFL-A15N50	15 W	857622006749	10857622006746	024.0121	12	13.58"x9.25"x10.23"	14.3 lbs
ASD-BFL-A28N30B	28 W	819201021536	10819201021533	024.0134	8	12.4"x10.04"x13"	20.02 lbs
ASD-BFL-A28N50	28 W	857622006756	10857622006753	024.0122	8	12.4"x10.04"x13"	20.02 lbs