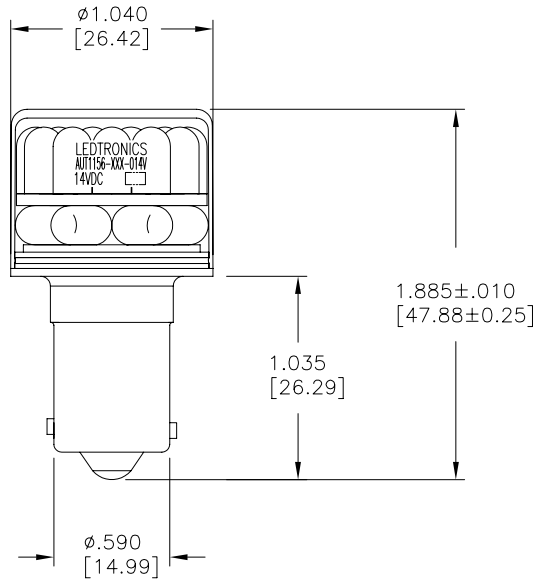


LTR	REVISION	DATE	APPD
-	RELEASED	05-24-10	



NOTES:

1. LENS MATERIAL: CLEAR, LEXAN OR POLYCARBONATE
2. SLEEVE MATERIAL: POLYCARBONATE
3. BASE MATERIAL: BRASS

REVISION NOTIFICATION	
<input type="checkbox"/>	PMA
<input type="checkbox"/>	UL
<input type="checkbox"/>	CUSTOMER _____
<input type="checkbox"/>	OTHER

AUT1156-OAG-014V	AQUA GREEN	14VDC	120	-	-	-	521	25° per LED
AUT1156-OCW-014V	COOL WHITE	14VDC	120	43.5 lm	3.46	8000K	-	25° per LED
AUT1156-OER-014V	SUPER RED	14VDC	160	30.7 lm	2.44	-	634	25° per LED
AUT1156-OPB-014V	SUPER BLUE	14VDC	160	-	-	-	470	25° per LED
AUT1156-OUY-014V	SUPER YELLOW	14VDC	160	25.8 lm	2.06	-	594	25° per LED
AUT1156-1CW-014V	COOL WHITE	14VDC	120	-	-	8000K	-	25° per LED
LEDTRONICS PART NO.	COLOR EMITTED	INPUT VOLTAGE	INPUT CURRENT (mA)	TOTAL LUMES	SPHERICAL CANDELA (SCP)	COLOR TEMP (Kelvin)	λP nm	FULL VIEWING ANGLE
		ELECTRICAL TEST						

LED[®]
LEDTRONICS, INC.[™]
 23105 KASHIWA COURT
 TORRANCE, CA 90505

-PROPRIETARY-
 This document contains Proprietary information of LEDTRONICS, INC. It may not be copied, used or disclosed for any purpose without the prior express written consent of LEDTRONICS, INC.

.XXX ± .010 TOLERANCE PER ANSI-Y14.5
 .XX ± .025 (UNLESS OTHERWISE STATED)
 ANGLES ± 0°,30'
 FRACT. ± 1/32

TITLE					
AUT1156-XXX-014V					
DWG NO		SCALE	SHEET	DATE	
AUT1156-14V-DC		1:1	1 OF 1	05-24-10	
CODE IDENT NO.	DWG BY GP	CHK BY PL	QA	MFG	R&D
8Z410	05-24-10	05-25-10			