

The Power of Illumination

X-Series Electronic Power Supplies

Designed for LED Lamps, MR16 replacements and LED Light strips and Light Bars



"Compact Power Packs"

The Power of Illumination

X-Series Electronic Power supplies for LEDs



The X-Series electronic power supplies for LEDs is designed to deliver power to today's LED light sources up to a maximum of 75 Watts.

The advanced circuitry of the X-Series enables it to operate smoothly with line power dimmer switches as well as architectural type dimming controls, without using an interface. All X-Series power supplies are not limited by a minimum load requirement like previous conventional transformers.

X-Series supplies are available in a wide variety of combinations of common input and output voltages.

You are sure to find a power supply to meet the requirements of your most demanding applications. Contact your B+L customer service representatives to find out more about this and many other fine products.

Advantages

- ✓ Miniature casing
- ✓ Designed for architectural lighting control systems
- ✓ Compatible with regular line dimmers
- ✓ Smooth dimming with LED light sources
- ✓ No minimum load requirement
- ✓ Easily controllable
- ✓ Noiseless operation under dimming conditions
- ✓ No zero cross-over blinking
- ✓ Suitable for LED loads
- ✓ Works well with MR16 replacement LEDs
- ✓ Approved to FKSZ2/8
- ✓ Approved to QQIJ2
- ✓ Approved to CSA C22.2 No. 107.1-01

General Specifications

- ✓ Available in 120VAC, 230VAC, 277VAC input
- ✓ Available in 12 VAC, 12VDC, 24VAC, 24VDC output
- ✓ Maximum load of 60W or 75W
- ✓ THD < 13%
- ✓ Power factor > 0.97 (without dimmer with LED light strip or halogens)
- ✓ Class A insulation isolation transformer
- ✓ Maximum casing temperature of 90 °C
- ✓ Maximum amb. oper. temp. of 40 °C
- ✓ Suitable for damp and dry locations

Ordering Information

MODEL NO.	Input Volt 50/60 Hz	Output	Max Load Watt	Casing Format / material	Class 2	Resettable Short Protection	Dimming Type	Agency Approval	IP65 Rating	Input Current (Amps)
FX95100	120	12 VAC	75	A / Zinc	No	No	AC Line	cURus	No	0.59
FX95120	120	24 VAC	75	A / Zinc	No	No	AC Line	cURus	No	0.59
GX95101	120	12 VAC	60	B / Plastic	No	Yes	AC Line	cURus	No	0.53
GX95121	120	24 VAC	60	B / Plastic	No	Yes	AC Line	cURus	No	0.53
GX95201	240	12 VAC	60	B / Plastic	No	Yes	AC Line	cURus	No	0.30
GX95221	240	24 VAC	60	B / Plastic	No	Yes	AC Line	cURus	No	0.30
GX95301	277	12 VAC	60	B / Plastic	No	Yes	AC Line	cURus	No	0.27
GX95321	277	24 VAC	60	B / Plastic	No	Yes	AC Line	cURus	No	0.27
EX95101	120	12 VDC	60	B / Plastic	No	Yes	AC Line	cURus	No	0.53
EX95121	120	24 VDC	60	B / Plastic	No	Yes	AC Line	cURus	No	0.53
EX95201	240	12 VDC	60	B / Plastic	No	Yes	AC Line	cURus	No	0.30
EX95221	240	24 VDC	60	B / Plastic	No	Yes	AC Line	cURus	No	0.30
EX95301	277	12 VDC	60	B / Plastic	No	Yes	AC Line	cURus	No	0.27
EX95321	277	24 VDC	60	B / Plastic	No	Yes	AC Line	cURus	No	0.27

Recommended dimmers for LED lamps:

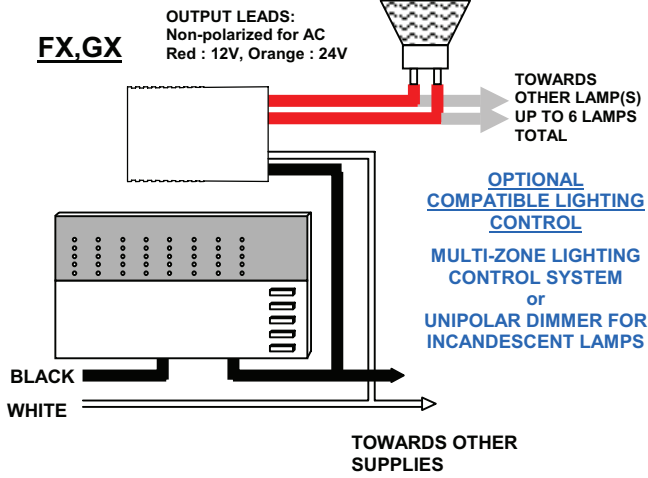
- ➔ Multizone Architectural Lighting control systems. Eg: Lutron Grafik Eye. 1 supply per zone.
- ➔ Digital dimmers. Eg: Lutron Maestro Series MAELV, Leviton Vizia+ Series VPE, ATE, ACE
- ➔ For 277VAC input: Lutron Grafik Eye with PHPM adaptor
- ➔ For 230VAC input: Helvar 452, Philips Dynalight DDMC802GL

Recommended dimmers for halogen lamps: All major multizone, digital, slide, and rotary dimmers for incandescent and low voltage transformers. Both forward and reverse phase dimmers are suitable.

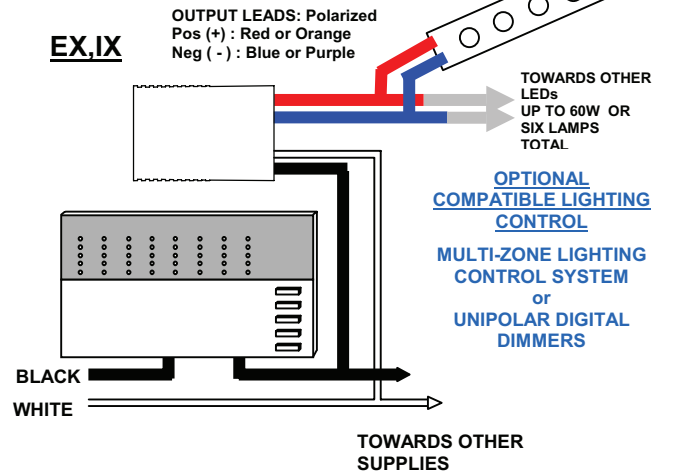
MR16 LED Compatibility List for X-Series Electronic Transformers

	MR16 LED Model	FX95100	GX95101, GX95201 GX95301	EX95101 EX95201, EX95301
1	Soraa Vivid 2 10W	1 to 5 lamps	1 to 5 lamps	1 to 5 lamps
2	Soraa Gen 3 10 W	1 to 5 lamps	1 to 5 lamps	1 to 5 lamps
3	Philips Endura 7W	1 to 6 lamps	1 to 6 lamps	1 to 6 lamps
4	Philips Endure 10W	1 to 5 lamps	1 to 5 lamps	1 to 5 lamps
5				60W LED Light strips

Cabling Diagrams



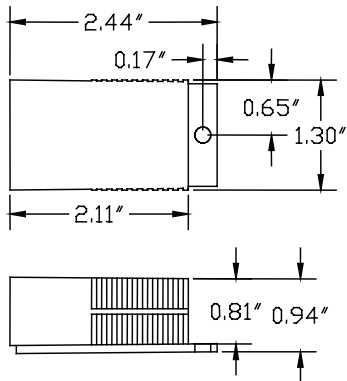
Cabling Diagrams



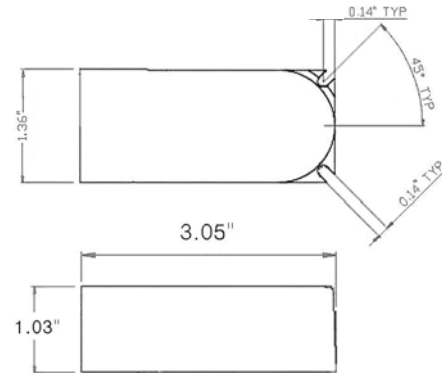
Caution: Do not exceed 6 LED lamps or constant-current drivers per transformer

Dimensions

Format A: FX Models, shown with optional mounting bracket



Format B: GX, EX Models



Warranty

2 years from delivery