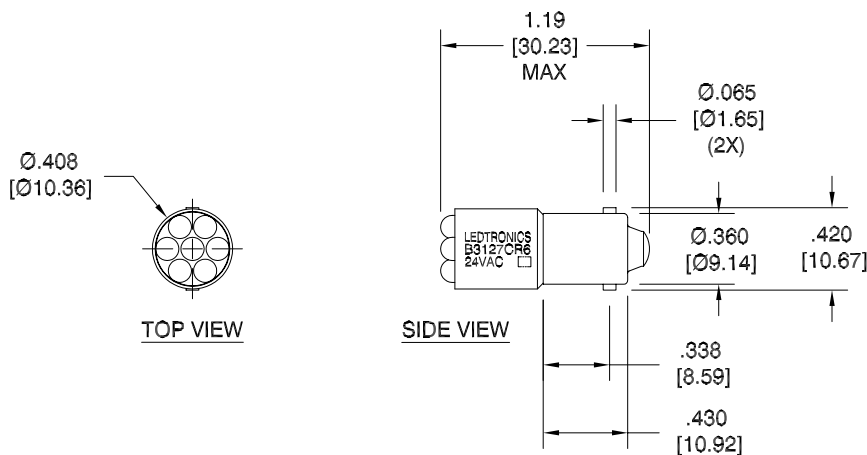


LTR	REVISION	DATE	APPD
-	RELEASED (REF. ECR#092315-JH01)	04-06-16	



NOTES:

1. ALL DIMENSIONS ARE IN INCHES (MILLIMETERS).
2. SLEEVE MATERIAL: RYNITE FR530 (UL94V-1 MINIMUM, UL94V-0 PREFERRED)
3. BASE MATERIAL: SHELL (BODY) IS MADE FROM BRASS WITH NICKEL-PLATED (BARREL)
4. OPERATING TEMPERATURE: ~-30°C to ~+50°C



ELECTRICAL - OPTICAL CHARACTERISTICS (Ta = 25°C)

REVISION NOTIFICATION	
<input type="checkbox"/>	DLC
<input type="checkbox"/>	UL/ETL
<input type="checkbox"/>	MADE IN USA
<input type="checkbox"/>	CUSTOMER _____
<input type="checkbox"/>	OTHER

B3127CR6-0008	B3127CR6-24VAC/30	ULTRA RED	24Vac	0.024 A	0.58W	1.300cd	654	60°
LEDTRONICS PART NO.	DESCRIPTION PART NO.	COLOR EMITTED	INPUT VOLTAGE, V	CURRENT (A)	POWER (W)	MAXIMUM CANDELA	λ P nm	VIEWING ANGLE (FULL BEAM WIDTH @ 50% INTENSITY)

<p>LEDTRONICS,™ INC. 23105 KASHIWA COURT TORRANCE, CA 90505</p>	<p>-PROPRIETARY- This document contains Proprietary information of LEDTRONICS,™ INC. It may not be copied, used or disclosed for any purpose without the prior express written consent of LEDTRONICS,™ INC.</p>		<p>TITLE B3127CR6-0008 (B3127CR6-24VAC/30)</p>								
	<p>.XXX ± .010 TOLERANCE PER ANSI-Y14.5 .XX ± .025 (UNLESS OTHERWISE STATED) ANGLES ± 0°,30' FRACT. ± 1/32</p>		<p>DWG NO B3127-24VAC</p>		<p>SCALE 1:1</p>		<p>SHEET 1 OF 1</p>		<p>DATE 04-06-16</p>		
	<p>CODE IDENT NO. 8Z410</p>		<p>DWG BY GP 04-06-16</p>		<p>CHK BY</p>		<p>QA JH 06-03-16</p>		<p>MFG LD 06-03-16</p>		<p>R&D LUV 06-03-16</p>