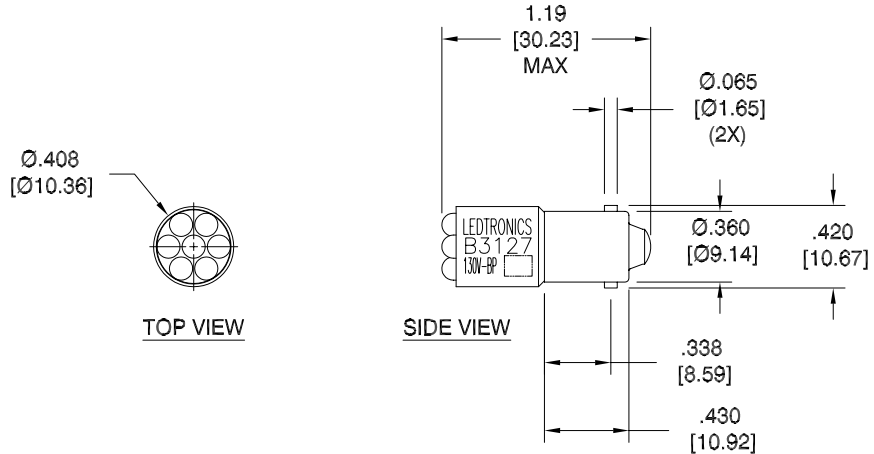


LTR	REVISION	DATE	APPD
-	RELEASED	08-27-12	



NOTES:

1. ALL DIMENSIONS ARE IN INCHES (MILLIMETERS).
2. SLEEVE MATERIAL: RYNITE FR530 (UL94V-1 MINIMUM, UL94V-0 PREFERRED)
3. BASE MATERIAL: SHELL (BODY) IS MADE FROM BRASS WITH NICKEL-PLATED (BAREL)

REVISION NOTIFICATION	
<input type="checkbox"/>	PMA
<input type="checkbox"/>	UL/ETL
<input type="checkbox"/>	MADE IN USA
<input type="checkbox"/>	CUSTOMER _____
<input type="checkbox"/>	OTHER

B3127CG6-0004	B3127CG6-130V/10-BP	HI-EFF GREEN	130Vdc	0.007 A	0.91W	0.380cd	566	60°
B3127CR6-0004	B3127CR6-130V/10-BP	ULTRA RED	130Vdc	0.007 A	0.91W	0.525cd	654	60°
B3127CY5-0006	B3127CY5-130V/10-BP	YELLOW	130Vdc	0.007 A	0.91W	0.210cd	585	45°
LEDTRONICS PART NO.	DESCRIPTION PART NO.	COLOR EMITTED	INPUT VOLTAGE, V	CURRENT (A)	POWER (W)	MAXIMUM CANDELA	λP nm	VIEWING ANGLE (FULL BEAM WIDTH @ 50% INTENSITY)
ELECTRICAL TEST								

LEDTRONICS, INC.
23105 KASHIWA COURT
TORRANCE, CA 90505

-PROPRIETARY-
This document contains Proprietary information of LEDTRONICS, INC. It may not be copied, used or disclosed for any purpose without the prior express written consent of LEDTRONICS, INC.

.XXX ± .010 TOLERANCE PER ANSI-Y14.5 (UNLESS OTHERWISE STATED)
.XX ± .025
ANGLES ± 0°,30'
FRACT. ± 1/32

TITLE B3127CXX-000X (B3127CXX-130V/10-BP)					
DWG NO	SCALE	SHEET	DATE		
B3127-130V-BP	1:1	1 OF 1	08-27-12		
CODE IDENT NO. 8Z410	DWG BY GP 08-27-12	CHK BY PL 08-28-12	QA	MFG	R&D