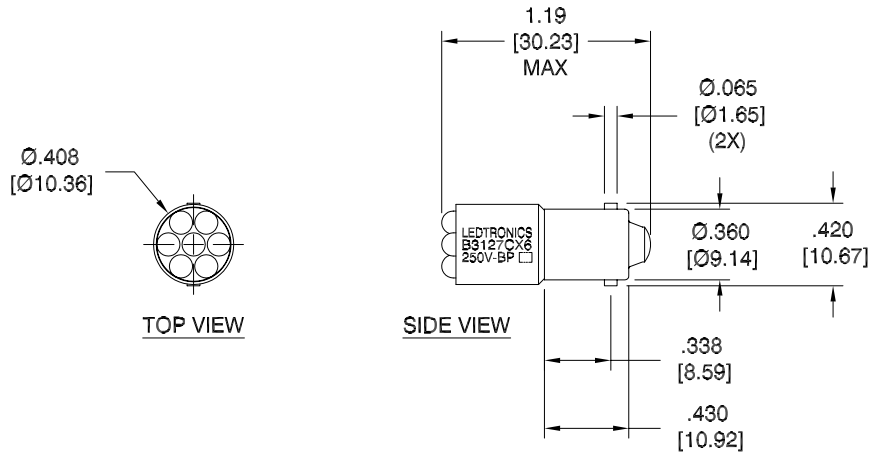


LTR	REVISION	DATE	APPD
-	RELEASED (REF. ECR#092315-JH01)	04-07-16	



NOTES:

1. ALL DIMENSIONS ARE IN INCHES (MILLIMETERS).
2. SLEEVE MATERIAL: RYNITE FR530 (UL94V-1 MINIMUM, UL94V-0 PREFERRED)
3. BASE MATERIAL: SHELL (BODY) IS MADE FROM BRASS WITH NICKEL-PLATED (BARREL)
4. OPERATING TEMPERATURE: ~-30°C to ~+50°C



REVISION NOTIFICATION	
<input type="checkbox"/>	DLC
<input type="checkbox"/>	UL/ETL
<input type="checkbox"/>	MADE IN USA
<input type="checkbox"/>	CUSTOMER _____
<input type="checkbox"/>	OTHER

ELECTRICAL - OPTICAL CHARACTERISTICS (Ta = 25°C)

B3127CG6-0022	B3127CG6-250V-BP	HI-EFF GREEN	250Vdc	0.005 A	-	-	566	60°
B3127CR6-0021	B3127CR6-250V-BP	ULTRA RED	250Vdc	0.005 A	-	-	654	60°
LEDTRONICS PART NO.	DESCRIPTION PART NO.	COLOR EMITTED	INPUT VOLTAGE, V	CURRENT (A)	POWER (W)	MAXIMUM CANDELA	λ P nm	VIEWING ANGLE (FULL BEAM WIDTH @ 50% INTENSITY)

LED[®]
LEDTRONICS, INC.[™]
 23105 KASHIWA COURT
 TORRANCE, CA 90505

-PROPRIETARY-
 This document contains Proprietary information of LEDTRONICS, INC. It may not be copied, used or disclosed for any purpose without the prior express written consent of LEDTRONICS, INC.

.XXX ± .010 TOLERANCE PER ANSI-Y14.5 (UNLESS OTHERWISE STATED)
 .XX ± .025
 ANGLES ± 0°,30'
 FRACT. ± 1/32

TITLE B3127CX6-00XX (B3127CX6-250V-BP)							
DWG NO		SCALE		SHEET		DATE	
B3127-250V-BP		1:1		1 OF 1		04-07-16	
CODE IDENT NO.	DWG BY GP	CHK BY	QA JH	MFG LD	R&D LUV		
8Z410	04-07-16		06-03-16	06-03-16	06-03-16		