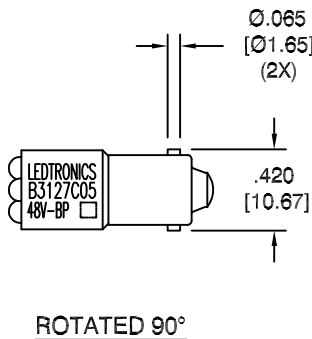
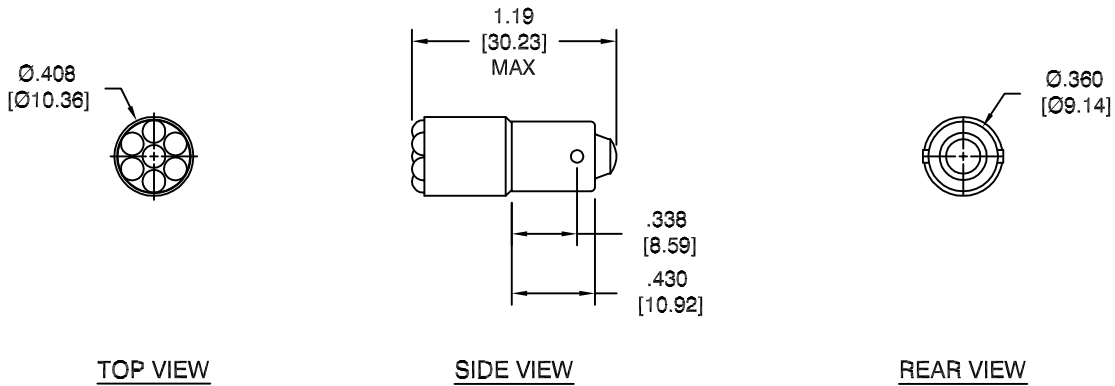


LTR	REVISION	DATE	APPD
-	RELEASED (REF.ECR#: 120121-HF01)	12-03-21	



**NOTES:**

1. ALL DIMENSIONS ARE IN INCHES [MILLIMETERS].
2. SLEEVE MATERIAL: RYNITE FR530 (UL94V-1 MINIMUM, UL94V-0 PREFERRED)
3. SLEEVE COLOR: ORANGE
4. BASE MATERIAL: (BODY) BRASS & NICKEL PLATED BRASS (BARREL)
4. OPERATING TEMPERATURE:  $\sim -30^{\circ}\text{C}$  TO  $\sim +50^{\circ}\text{C}$

REVISION NOTIFICATION	
<input type="checkbox"/> DLC	
<input type="checkbox"/> UL/ETL	
<input type="checkbox"/> MADE IN USA	
<input type="checkbox"/> CUSTOMER _____	
<input type="checkbox"/> OTHER	
REDLINE CHECKLIST	
<input type="checkbox"/> REDLINE(YES)	
<input type="checkbox"/> DATE: _____	
<input type="checkbox"/> INITIATED BY: _____	
<input type="checkbox"/> ECR REQUIRED YES <input type="checkbox"/> NO <input type="checkbox"/>	
<input type="checkbox"/> WORK ORDER# _____	

ELECTRICAL-OPTICAL CHARACTERISTICS (Ta = 25°C)

B3127C05-0010	ORANGE	48Vdc	0.018 A	0.9 W	0.35 lm	0.03	440 mcd	615	45°
LEDTRONICS PART NO.	COLOR EMITTED	INPUT VOLTAGE, V (typ.)	CURRENT (A)	POWER (W)	LUMENS	SCP	LUMINOUS INTENSITY	$\lambda_P$ nm	VIEWING ANGLE (FULL BEAM WIDTH @ 50% INTENSITY)

<p>LEDTRONICS,™ INC. 23105 KASHIWA COURT TORRANCE, CA 90505</p>	<p align="center">-PROPRIETARY- This document contains Proprietary Information of LEDTRONICS, INC. It may not be copied, used or disclosed for any purpose without the prior express written consent of LEDTRONICS, INC.</p>		<p align="center"><b>TITLE</b> B3127C05-0010</p>								
	<p>.XXX ± .010 TOLERANCE PER ANSI-Y14.5 .XX ± .025 (UNLESS OTHERWISE STATED) ANGLES ± 0°,30' FRACT. ± 1/32</p>		DWG NO	SCALE	SHEET	DATE					
			B3127-48V-BP-1	1:1	1 OF 1	12-03-21	CODE IDENT NO.	DWG BY	CHK BY	QA	MFG
			8Z410	12-03-21		12-03-21	12-03-21	12-03-21	12-03-21	12-03-21	12-03-21