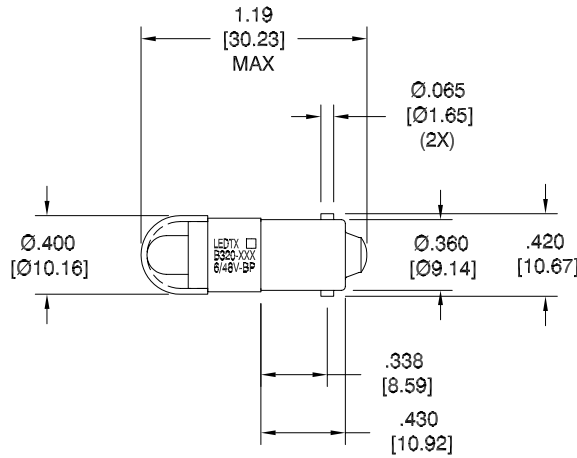


LTR	REVISION	DATE	APPD
B	031913-GP01: ADDED VAC TEST DATA	03-21-13	GP



NOTES:

1. LENS MATERIAL: CLEAR, POLYCARBONATE-UV STABILIZED. (UL94V-2)
2. SLEEVE MATERIAL: GENERAL POLYMERS RYNITE FR530 (UL 94HB)
3. BASE MATERIAL: SHELL (BODY) IS MADE FROM BRASS WITH NICKEL-PLATED (BAREL)

REVISION NOTIFICATION	
<input type="checkbox"/>	PMA
<input type="checkbox"/>	UL/ETL
<input type="checkbox"/>	MADE IN USA
<input type="checkbox"/>	CUSTOMER _____
<input type="checkbox"/>	OTHER

ELECTRO-OPTICAL CHARACTERISTICS

LEDTRONICS PART NO.	COLOR EMITTED	INPUT VOLTAGE, V	CURRENT (A)	POWER (W)	MAXIMUM CANDELA	λP nm	COLOR TEMP. (K)	VIEWING ANGLE (FULL BEAM WIDTH @ 50% INTENSITY)
B320-0AG-6/48V	AQUA GREEN	6 to 34Vac	0.009A@34VAC	0.43 W	8.38 cd	522	-	30°
		6 to 48Vdc	0.009A@48VDC					
B320-0ER-6/48V	SUPER RED	6 to 34Vac	0.009A@34VAC	0.37 W	6.26 cd	633	-	40°
		6 to 48Vdc	0.007A@48VDC					
B320-TPW-6/48V	TRUE WHITE	6 to 34Vac	0.009A@34VAC	0.44 W	2.62 cd	-	5000K	40°
		6 to 48Vdc	0.009A@48VDC					
B320-XIW-6/48V	WARM WHITE	6 to 34Vac	0.009A@34VAC	0.44 W	2.18 cd	-	3000K	40°
		6 to 48Vdc	0.009A@48VDC					



-PROPRIETARY-
 This document contains Proprietary information of LEDTRONICS, INC. It may not be copied, used or disclosed for any purpose without the prior express written consent of LEDTRONICS, INC.

.XXX ± .010 TOLERANCE PER ANSI-Y14.5
 .XX ± .025 (UNLESS OTHERWISE STATED)
 ANGLES ± 0°,30'
 FRACT. ± 1/32

TITLE B320-XXX-6/48V					
DWG NO B320-6-48V-DC		SCALE 1:1	SHEET 1 OF 1	DATE 03-15-10	
CODE IDENT NO. 8Z410	DWG BY GP	CHK BY	QA RD 03-21-13	MFG LD 03-21-13	R&D BJ 03-21-13