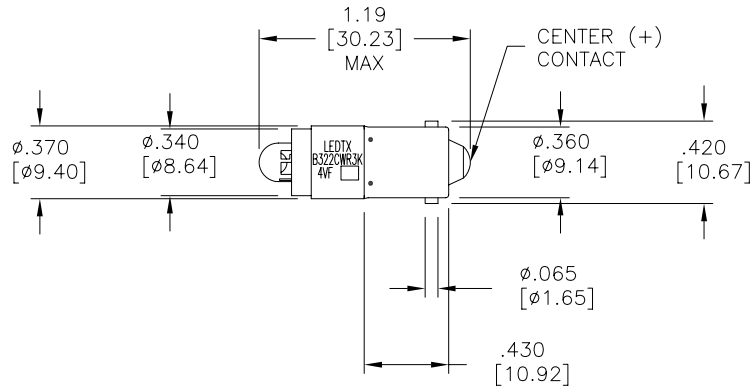


LTR	REVISION	DATE	APPD
-	RELEASED	10-07-09	



NOTES:

1. SLEEVE MATERIAL: GENERAL POLYMERS RYNITE FR530 (UL 94HB)
2. BASE MATERIAL: SHELL (BODY) IS MADE FROM BRASS WITH NICKEL-PLATED (BAREL)



REVISION NOTIFICATION

<input type="checkbox"/> PMA
<input type="checkbox"/> UL
<input type="checkbox"/> CUSTOMER _____
<input type="checkbox"/> OTHER

B322CWR3K-0001	B322CWR3K-4VF/BAV20-P	SUPER RED	20	4VF	652
LEDTRONICS PART NO.	DESCRIPTION PART NO.	COLOR EMITTED	SET mA (typ)	READ VOLTS	λP nm
ELECTRICAL TEST					

 LEDTRONICS,™ INC. 23105 KASHIWA COURT TORRANCE, CA 90505	-PROPRIETARY- This document contains Proprietary information of LEDTRONICS,™ INC. It may not be copied, used or disclosed for any purpose without the prior express written consent of LEDTRONICS,™ INC.		TITLE B322CWR3K-0001 (B322CWR3K-4VF/BAV20-P)				
	.XXX ± .010 TOLERANCE PER ANSI-Y14.5 .XX ± .025 (UNLESS OTHERWISE STATED) ANGLES ± 0°,30' FRACT. ± 1/32		DWG NO	SCALE	SHEET	DATE	
			B322-4V-P	1:1	1 OF 1	10-07-09	
		CODE IDENT NO.	DWG BY	CHK BY	QA	MFG	R&D
		8Z410	GP 10-07-09	PL 10-07-09			