

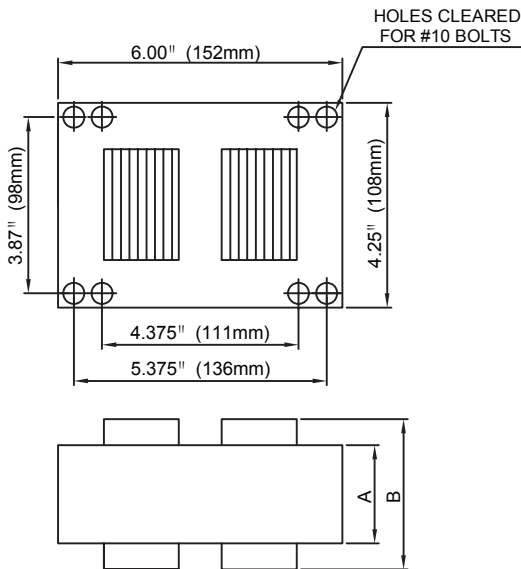
# Plusrite®

**CATALOG NUMBER: BAPS1000-CWA/V5**

## 1000W M141

**Pulse Start Metal Halide Lamp Ballast**  
**60 Hz CWA**

### 4X6 CORE - HX, CWA CWI UNITS



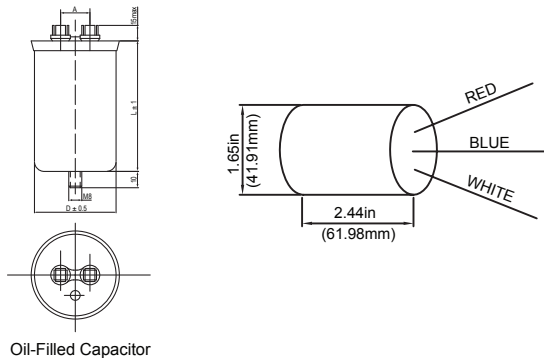
Input Volts		120	208	240	277	480
Circuit Type	CWA					
<b>REGULATION</b>						
Line Volts	±10%					
Lamp Watts	±10%					
<b>LINE CURRENT ( Amps )</b>						
Operating		9.00	5.20	4.50	3.90	2.40
Open Circuit		6.00	3.50	3.00	2.60	0.00
Starting		6.00	3.50	3.00	2.60	1.38
<b>RECOMMENDED FUSE (Amps)</b>						
		25	15	12	10	6
<b>TEMPERATURE RATINGS</b>						
Insulation Class	180 (H)					
Coil Temperature Code		D	A	B	B	B
Benchtop Coil Rise		88.2	73.5	78.4	78.2	78.2
Power Factor (Min)	90%					
Input Watts	1082 W					
Efficiency	92%					
NOM. OPEN CIRCUIT VOLTAGE	420					
INPUT VOLTAGE AT LAMP DROPOUT		70	125	140	160	320
MIN AMBIENT STARTING TEMP	-20°F/-30°C					

#### Capacitor:

Microfarads: 24.0 uf  
 Volts (Max): 480 V  
 Case Temp(Max): 100°C  
 D: 1.97 in  
 L: 3.94 in  
 A: 0.79 in

#### Ignitor:

Case Temp (Max): 105 °C  
 BTL Distance (Max): 15 ft



#### 60 HZ TEST PROCEDURES

<b>High Potential Test (Volts)</b>						
1 Minute		1,850 V				
1 Second		2,200 V				
Open Circuit Voltage Test (V)		380 - 460				
<b>Short Circuit Current Test (A)</b>						
Secondary Current	Min	4.75				
	Max	5.85				
Input Current	Min	4.80	2.80	2.40	2.10	1.04
	Max	7.20	4.20	3.60	3.15	1.56

#### CORE and COIL Specifications

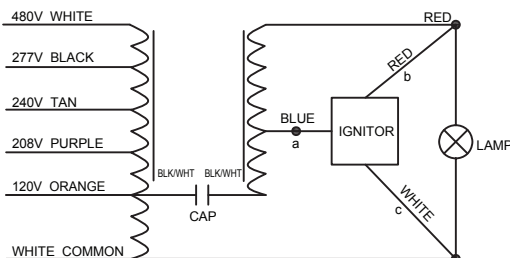
Dimension A (in)	3.35
Dimension B (in)	4.92
Weight (lbs)	21.0
Lead Lengths (in)	12

#### CAPACITOR REQUIREMENT

Microfarads	24.0uf
Volts (Min)	480 V

#### Wiring Diagram:

**cULus RoHS**



### ORDERING INFORMATION

The ballast is prewired comes with a kit including capacitor, ignitor and bracket.

Data is based upon tests performed by Plusrite in a controlled environment and is representative of relative performance. Actual performance can vary depending on operating conditions. Specifications are subject to change without notice.

Coil material: Cu/Al