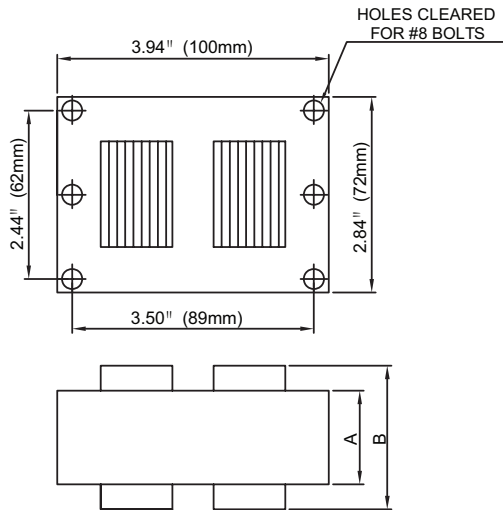


# Plusrite®

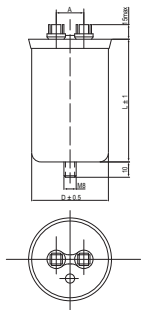
**CATALOG NUMBER: BAPS70-HX/V4**  
**70W M98**  
**Pulse Start Metal Halide Lamp Ballast**  
**60 Hz HX-HPF**

**3X4 CORE.WMF**



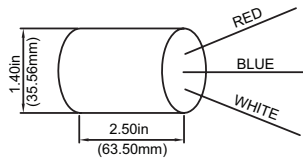
**Capacitor:**

Microfarads: 8.0 uf  
 Volts (Max): 330 V  
 Case Temp(Max): 100°C  
 D: 1.65 in  
 L: 2.56 in  
 A: 0.63 in



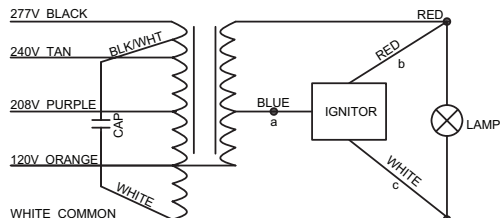
**Ignitor:**

Case Temp (Max): 105 °C  
 BTL Distance (Max): 2 ft



Input Volts		120	208	240	277
Circuit Type	HX-HPF				
<b>REGULATION</b>					
Line Volts	±5%				
Lamp Watts	±8%				
<b>LINE CURRENT( Amps )</b>					
Operating		0.80	0.45	0.40	0.35
Open Circuit		1.65	0.95	0.80	0.70
Starting		0.75	0.55	0.50	0.35
<b>RECOMMENDED FUSE (Amps)</b>					
		4	3	2	2
<b>TEMPERATURE RATINGS</b>					
Insulation Class	180 (H)				
Coil Temperature Code	A				
Benchtop Coil Rise		60.9	63.0	62.4	64.1
Power Factor (Min)	90%				
Input Watts	92 W				
Efficiency	76%				
<b>NOM. OPEN CIRCUIT VOLTAGE</b>					
	250				
<b>INPUT VOLTAGE AT LAMP DROPOUT</b>					
		85	140	165	185
<b>MIN AMBIENT STARTING TEMP</b>					
	-20°F/-30°C				
<b>60 HZ TEST PROCEDURES</b>					
<b>High Potential Test (Volts)</b>					
1 Minute		1,600 V			
1 Second		1,900 V			
Open Circuit Voltage Test (V)		225 - 275			
<b>Short Circuit Current Test (A)</b>					
Secondary Current	Min	0.95			
	Max	1.20			
Input Current	Min	0.45	0.25	0.25	0.20
	Max	0.85	0.50	0.45	0.40
<b>CORE and COIL Specifications</b>					
Dimension A (in)		1.45			
Dimension B (in)		2.85			
Weight (lbs)		4.6			
Lead Lengths (in)		12			
<b>CAPACITOR REQUIREMENT</b>					
Microfarads		8.0 uf			
Volts (Min)		280 V			

**Wiring Diagram:**



Data is based upon tests performed by Plusrite in a controlled environment and is representative of relative performance. Actual performance can vary depending on operating conditions. Specifications are subject to change without notice.

Coil material: Cu/Al