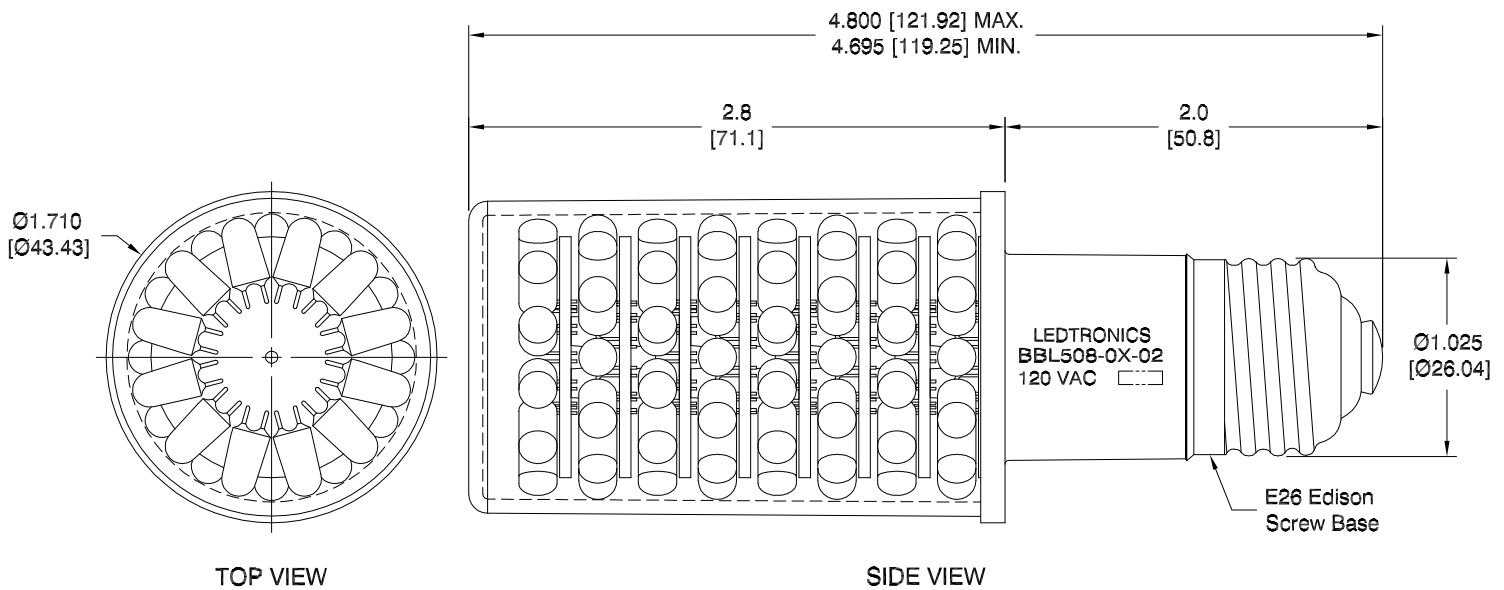


LTR	REVISION	DATE	APPD
B	050418-GP01: ADDED TOP VIEW & UPDATED DIMENSIONS	05-24-18	GP



NOTES:

1. ALL DIMENSIONS ARE IN INCHES [MILLIMETERS].
2. LENS MATERIAL / COLOR: UV POLYCARBONATE / CLEAR
3. SLEEVE MATERIAL: RYNITE FR530
4. BASE MATERIAL: NICKEL PLATED BRASS
5. AMBIENT OPERATING TEMPERATURE RANGE: ~-40°F to ~+176°F [~-40°C to ~+80°C]
6. WEIGHT: 0.21 lbs. / 3.4 oz.

REVISION NOTIFICATION	
<input type="checkbox"/>	DLC
<input type="checkbox"/>	UL/ETL
<input type="checkbox"/>	MADE IN USA
<input type="checkbox"/>	CUSTOMER _____
<input type="checkbox"/>	OTHER _____
REDLINE CHECKLIST	
<input type="checkbox"/>	REDLINE(YES)
<input type="checkbox"/>	DATE: _____
<input type="checkbox"/>	INITIATED BY: _____
<input type="checkbox"/>	ECR REQUIRED YES <input type="checkbox"/> NO <input type="checkbox"/>
<input type="checkbox"/>	WORK ORDER# _____

ELECTRICAL-OPTICAL CHARACTERISTICS (Ta = 25°C)

BBL508-01-02	SUPER RED	120Vac	3.6 W	0.040-0.065 A	-	110 lm	633
BBL508-04-02	SUPER YELLOW	120Vac	3.6 W	0.040-0.065 A	-	78 lm	595
LEDTRONICS PART NO.	COLOR EMITTED	INPUT VOLTAGE, V	POWER (W)	CURRENT (A)	LIGHT OUTPUT PER LED Iv, CD	TOTAL LUMENS	λP nm

<p>LEDTRONICS, TM INC. 23105 KASHIWA COURT TORRANCE, CA 90505</p>	<p>-PROPRIETARY- This document contains Proprietary information of LEDTRONICS, INC. It may not be copied, used or disclosed for any purpose without the prior express written consent of LEDTRONICS, INC.</p>		<p>TITLE BBL508-0X-02</p>				
	<p>.XXX ± .010 TOLERANCE PER ANSI-Y14.5 .XX ± .025 (UNLESS OTHERWISE STATED) ANGLES ± 0°,30' FRACT. ± 1/32</p>		DWG NO	SCALE	SHEET	DATE	
	CODE IDENT NO.	DWG BY RM	CHK BY	QA EE	MFG LD	R&D KS	
	8Z410	06-08-05		05-30-18	05-29-18	05-29-18	