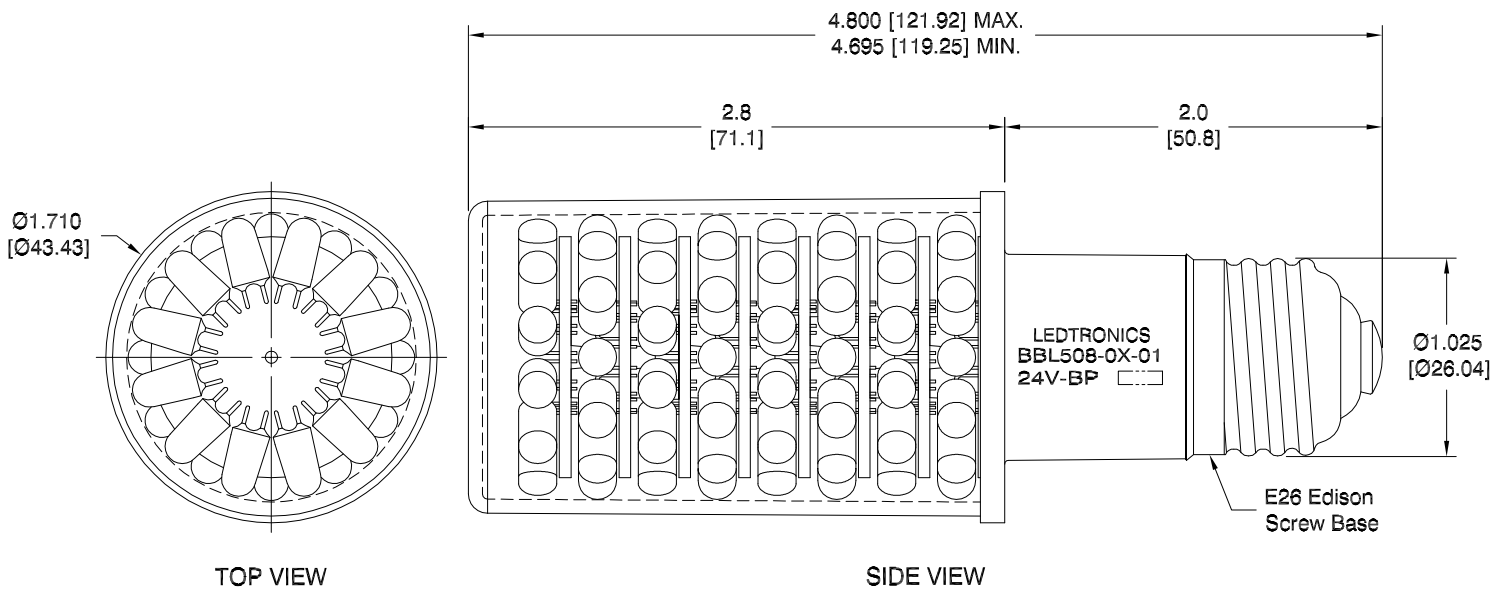


LTR	REVISION	DATE	APPD
A	050418-GP01: UPDATED NOTES & TEST DATA	05-22-18	GP



NOTES:

1. ALL DIMENSIONS ARE IN INCHES [MILLIMETERS].
2. LENS MATERIAL: CLEAR, UV POLYCARBONATE
3. SLEEVE MATERIAL: RYNITE FR530
4. BASE MATERIAL: NICKEL PLATED BRASS
5. AMBIENT OPERATING TEMPERATURE RANGE: ~-40°F to ~+176°F [~-40°C to ~+80°C]
6. WEIGHT: 0.21 lbs. / 3.4 oz.

REVISION NOTIFICATION
<input type="checkbox"/> DLC
<input type="checkbox"/> UL/ETL
<input type="checkbox"/> MADE IN USA
<input type="checkbox"/> CUSTOMER _____
<input type="checkbox"/> OTHER
REDLINE CHECKLIST
<input type="checkbox"/> REDLINE(YES)
<input type="checkbox"/> DATE: _____
<input type="checkbox"/> INITIATED BY: _____
<input type="checkbox"/> ECR REQUIRED YES <input type="checkbox"/> NO <input type="checkbox"/>
<input type="checkbox"/> WORK ORDER# _____

ELECTRICAL-OPTICAL CHARACTERISTICS (Ta = 25°C)

BBL508-01-01	SUPER RED	24Vdc BP	5.8 W	0.135 A	4.0cd	146 lm	633
BBL508-03-01	AQUA GREEN	24Vdc BP	4.6 W	0.190 A	12.75cd	228 lm	518
BBL508-05-01	SUPER BLUE	24Vdc BP	4.6 W	0.190 A	2.775cd	70 lm	465
BBL508-06-01	COOL WHITE	24Vdc BP	4.6 W	0.160 A	7.3cd	154 lm	8000K
LEDTRONICS PART NO.	COLOR EMITTED	INPUT VOLTAGE, V	POWER (W)	CURRENT (A)	LIGHT OUTPUT PER LED Iv, CD	TOTAL LUMENS	λP nm COLOR TEMP. (K)

 LEDTRONICS,™ INC. 23105 KASHIWA COURT TORRANCE, CA 90505	-PROPRIETARY- This document contains Proprietary information of LEDTRONICS,™ INC. It may not be copied, used or disclosed for any purpose without the prior express written consent of LEDTRONICS,™ INC. .XXX ± .010 TOLERANCE PER ANSI-Y14.5 .XX ± .025 (UNLESS OTHERWISE STATED) ANGLES ± 0°,30' FRACT. ± 1/32	TITLE BBL508-OX-01					
		DWG NO	SCALE	SHEET	DATE		
		BBL508016-CUST	1:1	1 OF 1	02-25-14		
CODE IDENT NO.	DWG BY GP	CHK BY	QA EE	MFG LD	R&D KS		
8Z410	02-25-14		05-23-18	05-23-18	05-23-18		