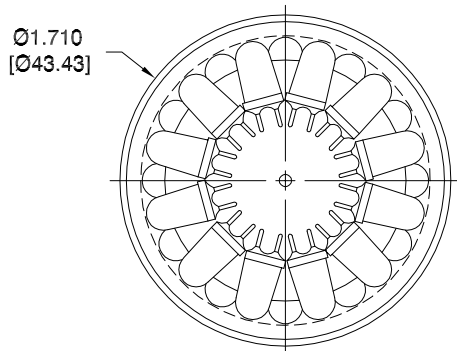
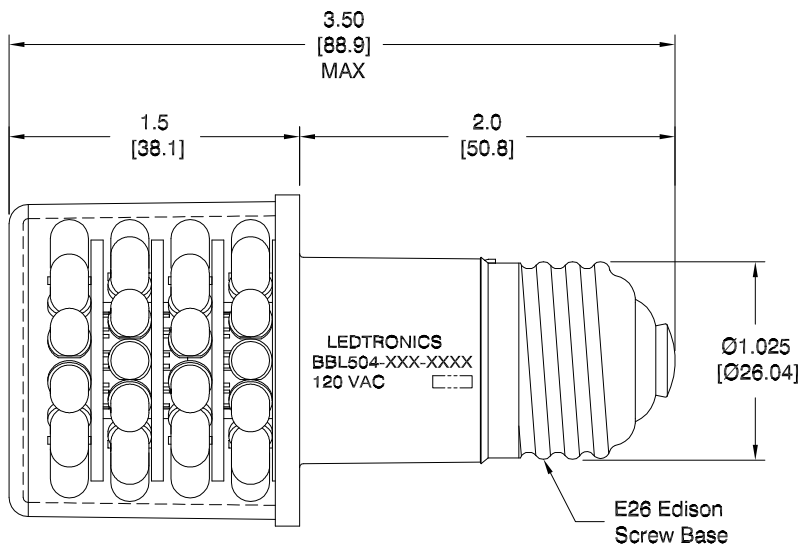


LTR	REVISION	DATE	APPD
A	050418-GP01: ADDED P/N's AND UPDATED TEST DATA	05-21-18	GP



TOP VIEW



SIDE VIEW



NOTES:

1. ALL DIMENSIONS ARE IN INCHES [MILLIMETERS].
2. LENS MATERIAL / COLOR: UV POLYCARBONATE / CLEAR
3. SLEEVE MATERIAL: RYNITE FR530
4. BASE MATERIAL: NICKEL PLATED BRASS
5. AMBIENT OPERATING TEMPERATURE RANGE: ~-40°F to ~+176°F [~-40°C to ~+80°C]
6. WEIGHT: 0.12 lbs. / 2.0 oz.

REVISION NOTIFICATION	
<input type="checkbox"/>	DLC
<input type="checkbox"/>	UL/ETL
<input type="checkbox"/>	MADE IN USA
<input type="checkbox"/>	CUSTOMER _____
<input type="checkbox"/>	OTHER _____
REDLINE CHECKLIST	
<input type="checkbox"/>	REDLINE(YES)
<input type="checkbox"/>	DATE: _____
<input type="checkbox"/>	INITIATED BY: _____
<input type="checkbox"/>	ECR REQUIRED YES <input type="checkbox"/> NO <input type="checkbox"/>
<input type="checkbox"/>	WORK ORDER# _____

ELECTRICAL-OPTICAL CHARACTERISTICS (Ta = 25°C)

BBL504-01-02	SUPER RED	120Vac	2.88 W	0.023-0.030 A	-	55 lm	633
BBL504-02-02	SUPER ORANGE	120Vac	1.8 W	0.023-0.030 A	-	-	612
BBL504-03-02	AQUA GREEN	120Vac	4.2 W	0.030-0.040 A	-	91 lm	518
BBL504-04-02	SUPER YELLOW	120Vac	1.8 W	0.023-0.030 A	-	39 lm	595
BBL504-05-02	SUPER BLUE	120Vac	4.2 W	0.030-0.040 A	-	28 lm	461
BBL504-06-02	COOL WHITE	120Vac	1.44 W	0.030-0.040 A	-	62 lm	8000K
BBL504-0BG-120A	BLUE GREEN	120Vac	4.2 W	0.030-0.040 A	-	-	503
LEDTRONICS PART NO.	COLOR EMITTED	INPUT VOLTAGE, V	POWER (W)	CURRENT (A)	LIGHT OUTPUT PER LED Iv, CD	TOTAL LUMENS	λP nm COLOR TEMP. (K)

LED[®]
LEDTRONICS,™ INC.
23105 KASHIWA COURT
TORRANCE, CA 90505

-PROPRIETARY-
This document contains Proprietary information of LEDTRONICS,™ INC. It may not be copied, used or disclosed for any purpose without the prior express written consent of LEDTRONICS,™ INC.
.XXX ± .010 TOLERANCE PER ANSI-Y14.5
.XX ± .025 (UNLESS OTHERWISE STATED)
ANGLES ± 0°,30'
FRACT. ± 1/32

TITLE BBL504-0X-02 / BBL504-XXX-120A					
DWG NO	SCALE	SHEET	DATE		
BBL504004-CUST	1:1	1 OF 1	06-03-05		
CODE IDENT NO.	DWG BY	CHK BY	QA	MFG	R&D
8Z410	06-03-05		EE 05-23-18	LD 05-23-18	KS 05-23-18