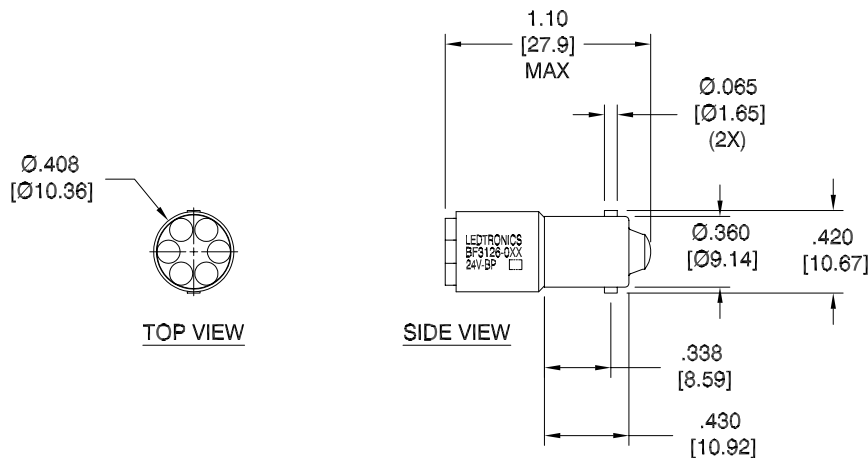


LTR	REVISION	DATE	APPD
-	RELEASED (REF. ECR#092315-JH01)	04-08-16	



NOTES:

1. ALL DIMENSIONS ARE IN INCHES (MILLIMETERS).
2. SLEEVE MATERIAL: RYNITE FR530 (UL94V-1 MINIMUM, UL94V-0 PREFERRED)
3. BASE MATERIAL: SHELL (BODY) IS MADE FROM BRASS WITH NICKEL-PLATED (BARREL)
4. OPERATING TEMPERATURE: ~-30°C to ~+50°C



REVISION NOTIFICATION	
<input type="checkbox"/>	DLC
<input type="checkbox"/>	UL/ETL
<input type="checkbox"/>	MADE IN USA
<input type="checkbox"/>	CUSTOMER _____
<input type="checkbox"/>	OTHER

ELECTRICAL - OPTICAL CHARACTERISTICS (Ta = 25°C)

BF3126-0UG-024B	SUPER GREEN	24Vdc	0.38W	0.016 A	0.252cd	574	110°
BF3126-0UO-024B	SUPER ORANGE	24Vdc	0.43W	0.018 A	0.595cd	611	110°
BF3126-0UR-024B	ULTRA RED	24Vdc	0.48W	0.020 A	0.700cd	654	105°
BF3126-0UY-024B	SUPER YELLOW	24Vdc	0.48W	0.020 A	0.440cd	593	120°
LEDTRONICS PART NO.	COLOR EMITTED	INPUT VOLTAGE, V	POWER (W)	CURRENT (A)	MAXIMUM CANDELA	λP nm	VIEWING ANGLE (FULL BEAM WIDTH @ 50% INTENSITY)

LED[®]
LEDTRONICS, INC.[™]
 23105 KASHIWA COURT
 TORRANCE, CA 90505

-PROPRIETARY-
 This document contains Proprietary information of LEDTRONICS, INC. It may not be copied, used or disclosed for any purpose without the prior express written consent of LEDTRONICS, INC.

.XXX ± .010 TOLERANCE PER ANSI-Y14.5 (UNLESS OTHERWISE STATED)
 .XX ± .025
 ANGLES ± 0°,30'
 FRACT. ± 1/32

TITLE							
BF3126-0XX-024B							
DWG NO		SCALE		SHEET		DATE	
BF3126-24VBP		1:1		1 OF 1		04-08-16	
CODE IDENT NO.	DWG BY	CHK BY	QA	MFG	R&D		
8Z410	GP		JH	LD	LUV		
	04-08-16		06-03-16	06-03-16	06-03-16		