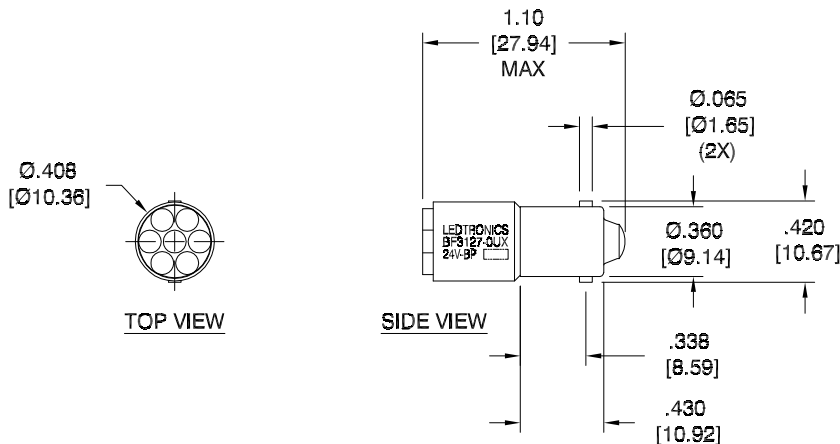


| LTR | REVISION                       | DATE     | APPD |
|-----|--------------------------------|----------|------|
| A   | 053118-GP01: UPDATED TEST DATA | 07-11-18 | GP   |



**NOTES:**

1. ALL DIMENSIONS ARE IN INCHES (MILLIMETERS).
2. SLEEVE MATERIAL: RYNITE FR530 (UL94V-1 MINIMUM, UL94V-0 PREFERRED)
3. BASE MATERIAL: (BODY) BRASS & NICKEL PLATED BRASS (BARREL)
4. OPERATING TEMPERATURE: ~-30°C to ~+50°C

| REVISION NOTIFICATION  |  |
|--|--|
| <input type="checkbox"/> DLC   |  |
| <input type="checkbox"/> UL/ETL  |  |
| <input type="checkbox"/> MADE IN USA   |  |
| <input type="checkbox"/> CUSTOMER _____  |  |
| <input type="checkbox"/> OTHER   |  |
| REDLINE CHECKLIST  |  |
| <input type="checkbox"/> REDLINE(YES)  |  |
| <input type="checkbox"/> DATE: _____   |  |
| <input type="checkbox"/> INITIATED BY: _____   |  |
| <input type="checkbox"/> ECR REQUIRED YES <input type="checkbox"/> NO <input type="checkbox"/> |  |
| <input type="checkbox"/> WORK ORDER# _____   |  |

**ELECTRICAL - OPTICAL CHARACTERISTICS (Ta = 25°C)**

| BF3127-0UG-024B     | SUPER GREEN   | 24Vdc            | 0.38 W    | 0.016 A     | 0.336cd         | 574    | 110°  |
|---------------------|---------------|------------------|-----------|-------------|-----------------|--------|---|
| BF3127-0UO-024B     | SUPER ORANGE  | 24Vdc            | 0.46 W    | 0.019 A     | 4.323cd         | 611    | 120°  |
| BF3127-0UR-024B     | ULTRA RED     | 24Vdc            | 0.46 W    | 0.019 A     | 0.864cd         | 654    | 110°  |
| BF3127-0UY-024B     | SUPER YELLOW  | 24Vdc            | 0.46 W    | 0.019 A     | 1.942cd         | 593    | 120°  |
| LEDTRONICS PART NO. | COLOR EMITTED | INPUT VOLTAGE, V | POWER (W) | CURRENT (A) | MAXIMUM CANDELA | λ P nm | VIEWING ANGLE (FULL BEAM WIDTH @ 50% INTENSITY) |

|   |   |                                     |          |          |          |  |  |
|---|---|-------------------------------------|----------|----------|----------|--|--|
| <p>LEDTRONICS,™ INC.<br/>23105 KASHIWA COURT<br/>TORRANCE, CA 90505</p> | <p><b>-PROPRIETARY-</b><br/>This document contains Proprietary information of LEDTRONICS,™ INC. It may not be copied, used or disclosed for any purpose without the prior express written consent of LEDTRONICS,™ INC.</p> <p>.XXX ± .010 TOLERANCE PER ANSI-Y14.5<br/>.XX ± .025 (UNLESS OTHERWISE STATED)<br/>ANGLES ± 0°.30'<br/>FRACT. ± 1/32</p> | <p><b>TITLE</b> BF3127-0UX-024B</p> |          |          |          |  |  |
|   |   | DWG NO                              | SCALE    | SHEET    | DATE     |  |  |
|   |   | BF3127-24V-BP                       | 1:1      | 1 OF 1   | 07-05-18 |  |  |
| CODE IDENT NO.  | DWG BY GP   | CHK BY                              | QA EE    | MFG LD   | R&D KS   |  |  |
| 8Z410   | 07-05-18  |                                     | 07-17-18 | 07-16-18 | 07-13-18 |  |  |