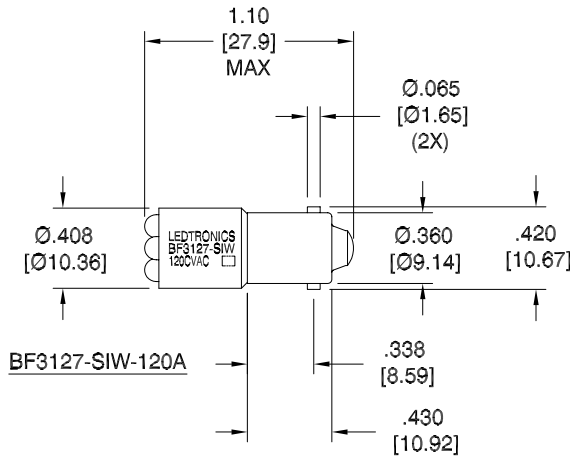
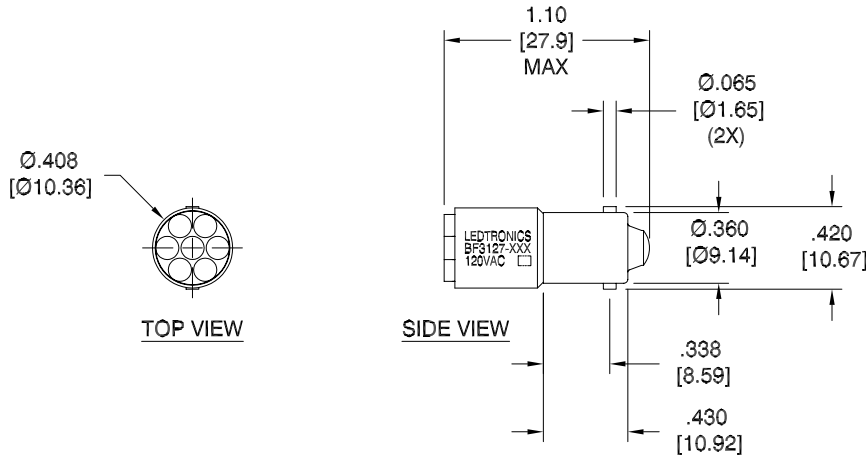


LTR	REVISION	DATE	APPD
-	RELEASED (REF. ECR#092315-JH01)	04-08-16	



NOTES:

1. ALL DIMENSIONS ARE IN INCHES (MILLIMETERS).
2. SLEEVE MATERIAL: RYNITE FR530 (UL94V-1 MINIMUM, UL94V-0 PREFERRED)
3. BASE MATERIAL: SHELL (BODY) IS MADE FROM BRASS WITH NICKEL-PLATED (BARREL)
4. OPERATING TEMPERATURE: ~-30°C to ~+50°C

REVISION NOTIFICATION	
<input type="checkbox"/>	DLC
<input type="checkbox"/>	UL/ETL
<input type="checkbox"/>	MADE IN USA
<input type="checkbox"/>	CUSTOMER _____
<input type="checkbox"/>	OTHER

ELECTRICAL - OPTICAL CHARACTERISTICS (Ta = 25°C)

BF3127-0AG-120A	AQUA GREEN	120Vac	0.8W	0.008 A	1.050cd	520	-	105°
BF3127-0CW-120A	COOL WHITE	120Vac	0.8W	0.008 A	0.700cd	-	8000K	105°
BF3127-0PB-120A	SUPER BLUE	120Vac	0.8W	0.008 A	0.315cd	465	-	110°
BF3127-0UG-120A	SUPER GREEN	120Vac	0.9W	0.008 A	0.126cd	574	-	110°
BF3127-0UO-120A	SUPER ORANGE	120Vac	0.9W	0.009 A	0.298cd	611	-	120°
BF3127-0UR-120A	ULTRA RED	120Vac	0.9W	0.009 A	0.160cd	654	-	105°
BF3127-0UY-120A	SUPER YELLOW	120Vac	0.9W	0.009 A	0.175cd	593	-	120°
BF3127-SIW-120A	WARM WHITE	120Vac	0.8W	0.008 A	7.000cd	-	2800K~3200K	85°
LEDTRONICS PART NO.	COLOR EMITTED	INPUT VOLTAGE, V	POWER (W)	CURRENT (A)	MAXIMUM CANDELA	λ P nm	COLOR TEMP. (K)	VIEWING ANGLE (FULL BEAM WIDTH @ 50% INTENSITY)



-PROPRIETARY-
 This document contains Proprietary information of LEDTRONICS, INC. It may not be copied, used or disclosed for any purpose without the prior express written consent of LEDTRONICS, INC.

.XXX ± .010 TOLERANCE PER ANSI-Y14.5
 .XX ± .025 (UNLESS OTHERWISE STATED)
 ANGLES ± 0°,30'
 FRACT. ± 1/32

TITLE BF3127-XXX-120A					
DWG NO BF3127-120VAC		SCALE 1:1	SHEET 1 OF 1	DATE 04-08-16	
CODE IDENT NO. 8Z410	DWG BY GP	CHK BY	QA JH	MFG LD	R&D LUV
	04-08-16		06-03-16	06-03-16	06-03-16