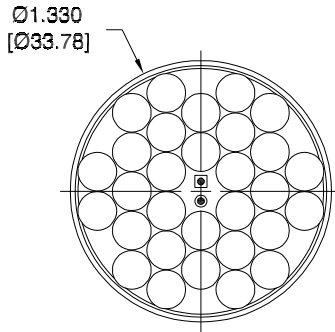
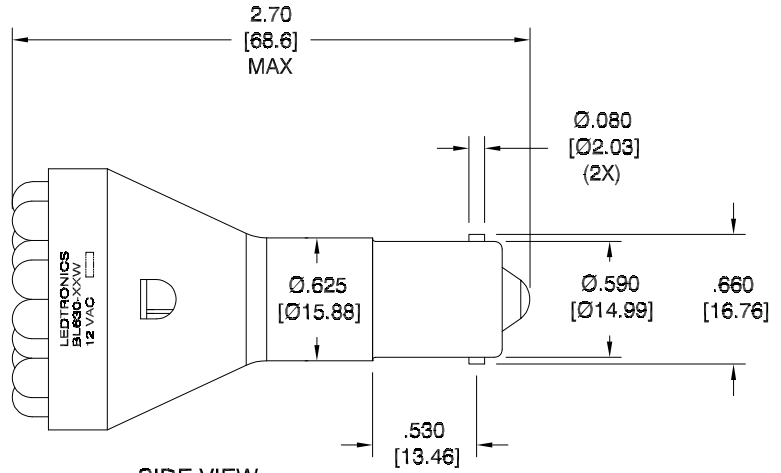


LTR	REVISION	DATE	APPD
-	RELEASED	02-25-13	



TOP VIEW



SIDE VIEW

**NOTES:**

1. ALL DIMENSIONS ARE IN INCHES [MILLIMETERS].
2. SLEEVE MATERIAL: RYNITE FR530
3. BASE MATERIAL: BRASS



**ELECTRO-OPTICAL CHARACTERISTICS**

REVISION NOTIFICATION	
<input type="checkbox"/>	PMA
<input type="checkbox"/>	UL/ETL
<input type="checkbox"/>	MADE IN USA
<input type="checkbox"/>	CUSTOMER _____
<input type="checkbox"/>	OTHER

BL630-SIW-012AM	WARM WHITE	12Vac	0.120~0.170	~1.7W	144 cd	2800K~3200K	30°~40°
BL630-SIW-012AS	WARM WHITE	12Vac	0.120~0.170	~1.7W	221 cd	2800K~3200K	15°~25°
BL630-TPW-012AM	TRUE WHITE	12Vac	0.120~0.170	~1.7W	207 cd	4800K~5200K	30°~40°
BL630-TPW-012AS	TRUE WHITE	12Vac	0.120~0.170	~1.7W	252 cd	4800K~5200K	15°~25°
LEDTRONICS PART NO.	COLOR EMITTED	INPUT VOLTAGE, V	CURRENT (A)	POWER (W)	LIGHT OUTPUT per LED lv, cd	COLOR TEMP. (Kelvin)	VIEWING ANGLE @ 50% INTENSITY



**-PROPRIETARY-**  
 This document contains Proprietary information of LEDTRONICS, INC. It may not be copied, used or disclosed for any purpose without the prior express written consent of LEDTRONICS, INC.  
 .XXX ± .010 TOLERANCE PER ANSI-Y14.5 (UNLESS OTHERWISE STATED)  
 .XX ± .025  
 ANGLES ± 0°,30'  
 FRACT. ± 1/32

TITLE <b>BL630-XXW-012AX</b>					
DWG NO	SCALE	SHEET	DATE		
BL630-12VAC	1:1	1 OF 1	02-25-13		
CODE IDENT NO.	DWG BY	CHK BY	QA	MFG	R&D
8Z410	GP 02-25-13	PL 02-25-13			