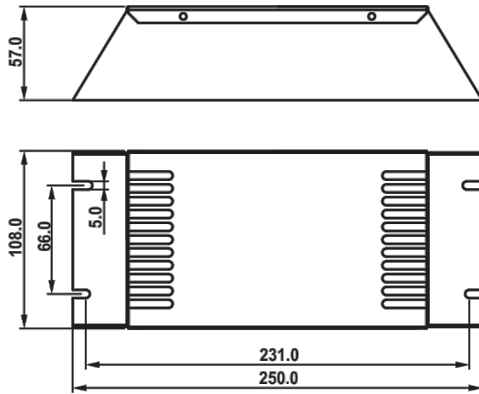
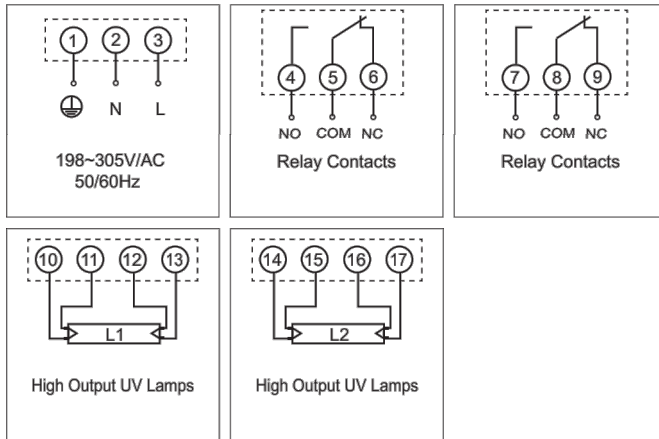


Dimensions



Wiring Diagram



BLST0058

AC Source :	198~305V	Lamp Power :	2*100~155W
Mains Frequency :	47~63Hz	Output Current :	0.80~0.90A typ.
Input Power :	121~344W	Output Frequency :	28KHz
Input Current :	Max.1.53A at 230Vrms	Preheat Time :	4S
Power Factor :	0.99 typ.	Preheat Current :	0.90A
		Efficiency :	90% Max. load

Lamp Type : 2*GH064T5 TUV64T5HO PL-L95WHO

Features & Functions

- Preheat Start
- Constant Current Output
- Limiting Lamp Power
- Lamp Open Protection
- Lamp Fault Protection
- Status Indication / Local
- DC 5V Signal
- Lamp status indication via LED indicators
Green LED = lamp on , Red LED = lamp fault
- Status Indication / Remote
- Lamp status forwarding
- potential free relay contacts for lamp on / lamp fault
4~5 : on=Lamp on , 5~6 : on=Lamp fault

Ordering Information

Type	Quantity [pcs]			Weight [kg]			Size [m³]			Article No.
	A	B	C	A	B	C	B	C		
BLST0058	1	12	432	0.80	10.55	392	0.033	1.42	80 00 0912 06	

Note: (A: Small box, B: Carton, C: Pallet.)



One Source for All Your UV Needs!

