

Features - Specifications

- Type – medium and mogul base
- Rating – 660, 1000, 1200, or 2500 watts 250 volts
- Porcelain base (3742, 3842, 4229)
- Heat resistant thermoplastic base (3743R)
- Binding screw terminals
- Copper-alloy screw shells (4229)
- UL Listed File #E15016 – Guide #00IX
- CSA Certified – Guide #240-A-9.90 Class 6231 (3742)

Applications

- 4229 – sign and fixtures
- Prefocus – where the light source is required at the focal point of the reflector, such as photoelectric systems, stage lighting, aircraft and projection equipment



4229



3742



3743R

MEDIUM BASE – CLEAT WIRING TYPE

CATALOG NUMBER	RATING		DESCRIPTION
	WATTS	VOLTS	
4229	660	250	White porcelain base, cleat or concealed wiring

MEDIUM BASE – PREFOCUS TYPE

CATALOG NUMBER	RATING		DESCRIPTION
	WATTS	VOLTS	
3742	1200	250	White porcelain base, surface or clamp mounting
3743R	1000	250	Black thermoplastic base, surface or clamp mounting

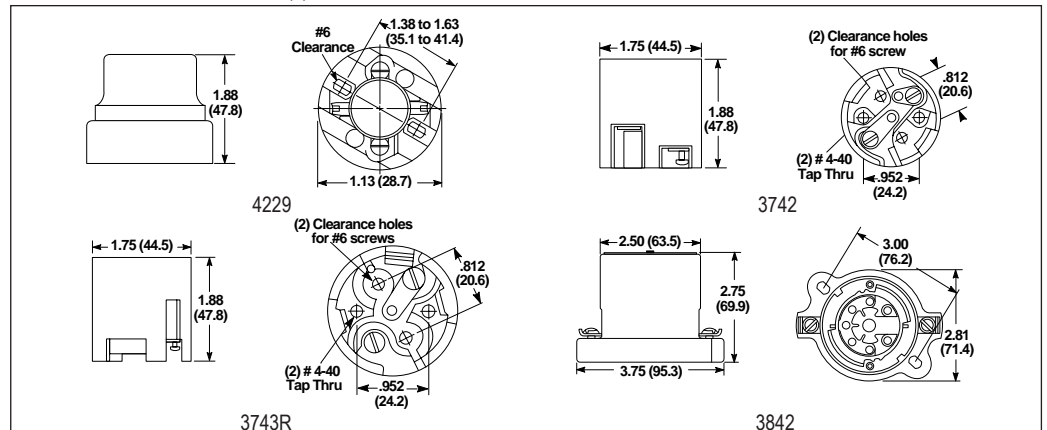
MOGUL BASE – PREFOCUS TYPE

CATALOG NUMBER	RATING		DESCRIPTION
	WATTS	VOLTS	
3842	2500	250	Gray porcelain base, surface mounting



3842

PRODUCT DIMENSIONS – () Indicates mm dimensions



Specifications are subject to change without notice.