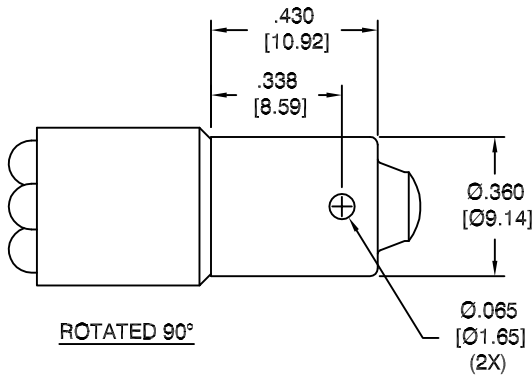
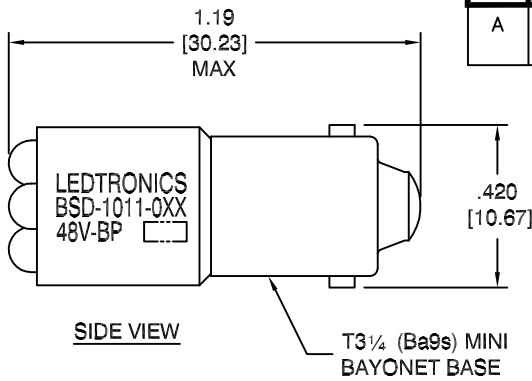
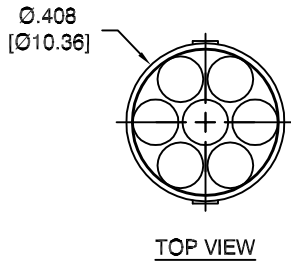


LTR	REVISION	DATE	APPD
A	022822-UF01: ADDED EXTERNAL SERIES RESISTOR TABLE	03-01-22	HF



NOTES:

1. ALL DIMENSIONS ARE IN INCHES (MILLIMETERS).
2. SLEEVE MATERIAL: RYNITE FR530 (UL94V-1 MINIMUM, UL94V-0 PREFERRED)
3. BASE MATERIAL: (BODY) BRASS & NICKEL PLATED BRASS (BARREL)
4. OPERATING TEMPERATURE: ~-30°C to ~+50°C

ELECTRICAL-OPTICAL CHARACTERISTICS (Ta = 25°C)

LEDTRONICS PART NO.	COLOR EMITTED	CIRCUIT RATING VOLTS	CIRCUIT VOLTAGE MIN	CIRCUIT VOLTAGE MAX	REPLACES INCANDESCENT	INCANDESCENT LAMP VOLTAGE RATING	CURRENT (A)	EXTERNAL SERIES RESISTOR, Ohms	λP nm
BSD-1011-001	ULTRA RED	48Vdc	44	56	1835	55V	0.012 A	200	654
BSD-1011-002	HI-EFF RED	48Vdc	44	56	1835	55V	0.012 A	200	642
BSD-1011-004	YELLOW	48Vdc	44	56	1835	55V	0.012 A	200	585
BSD-1011-006	HI-EFF GREEN	48Vdc	44	56	1835	55V	0.012 A	200	566
BSD-1011-008	ULTRA BLUE	48Vdc	44	56	1835	55V	0.012 A	200	427
BSD-1011-026	HI-EFF RED/HI-EFF GREEN	48Vdc	44	56	1835	55V	0.012 A	200	642/566

REVISION NOTIFICATION	
<input type="checkbox"/>	DLC
<input type="checkbox"/>	UL/ETL
<input type="checkbox"/>	MADE IN USA
<input type="checkbox"/>	CUSTOMER _____
<input type="checkbox"/>	OTHER _____
REDLINE CHECKLIST	
<input type="checkbox"/>	REDLINE(YES)
<input type="checkbox"/>	DATE: _____
<input type="checkbox"/>	INITIATED BY: _____
<input type="checkbox"/>	ECR REQUIRED YES <input type="checkbox"/> NO <input type="checkbox"/>
<input type="checkbox"/>	WORK ORDER# _____

(WHEN USED IN ET5, ET6 AND ET16 UTILITY LAMP HOLDERS)

LEDTRONICS PART NO.	COLOR EMITTED	CIRCUIT RATING VOLTS	CIRCUIT VOLTAGE		EXTERNAL SERIES RESISTOR (Ω)	INCANDESCENT LAMP NUMBER	INCANDESCENT LAMP VOLTAGE RATING
			MIN.	MAX.			
BSD-1011-001	ULTRA RED	48VDC	44	56	200	1835	55V
BSD-1011-002	HI-EFF RED	125VDC	110	140	2000		
BSD-1011-004	YELLOW	250VDC	220	280	5100		
BSD-1011-006	HI-EFF GREEN	* 70VAC	55	76	750		
BSD-1011-008	ULTRA BLUE	120VAC	95	130	1900		
BSD-1011-026	HI-EFF RED/HI-EFF GREEN	* 130VAC	105	140	2300		
BSD-1011-026	HI-EFF RED/HI-EFF GREEN	240VAC	195	260	4800		

*** CONSULT FACTORY**

 LEDTRONICS,™ INC. 23105 KASHIWA COURT TORRANCE, CA 90505	-PROPRIETARY- This document contains Proprietary Information of LEDTRONICS, INC. It may not be copied, used or disclosed for any purpose without the prior express written consent of LEDTRONICS, INC.	TITLE BSD-1011-0XX					
	.XXX ± .010 TOLERANCE PER ANSI-Y14.5 .XX ± .025 (UNLESS OTHERWISE STATED) ANGLES ± 0°,30' FRACT. ± 1/32	DWG NO B1011004	SCALE 2:1	SHEET 1 OF 1	DATE 05-30-18		
	CODE IDENT NO. 8Z410	DWG BY GP 05-30-18	CHK BY	QA SB 03-02-22	MFG LD 03-02-22	R&D UF 03-02-22	