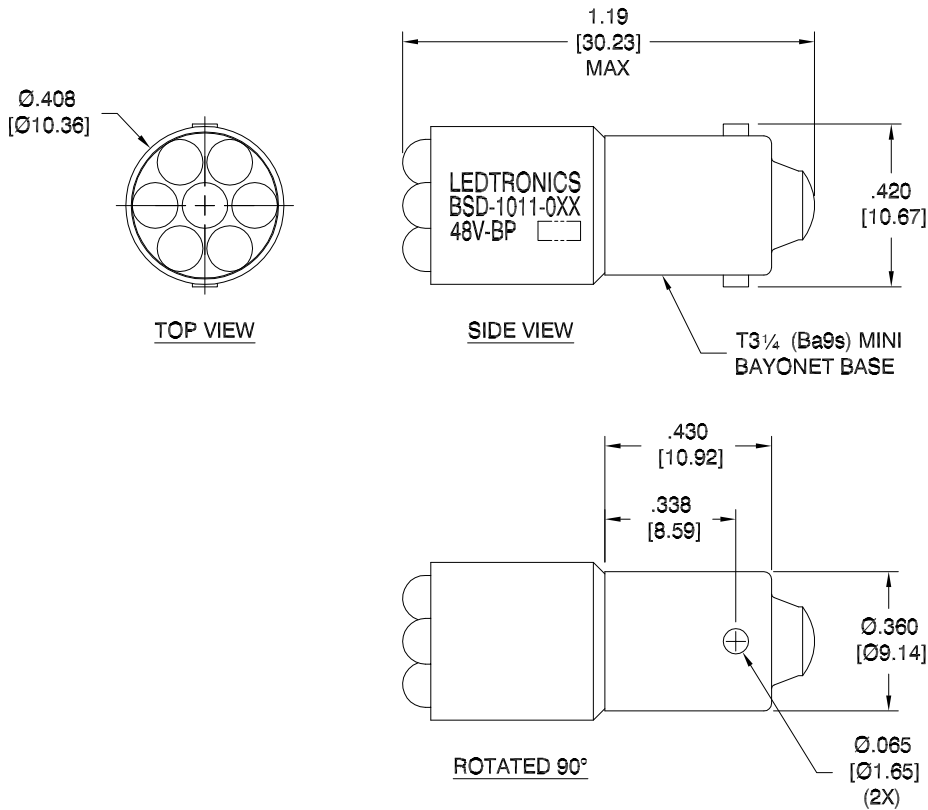


LTR	REVISION	DATE	APPD
-	RELEASED	05-30-18	



**NOTES:**

1. ALL DIMENSIONS ARE IN INCHES (MILLIMETERS).
2. SLEEVE MATERIAL: RYNITE FR530 (UL94V-1 MINIMUM, UL94V-0 PREFERRED)
3. BASE MATERIAL: (BODY) BRASS & NICKEL PLATED BRASS (BARREL)
4. OPERATING TEMPERATURE: ~-30°C to ~+50°C

REVISION NOTIFICATION	
<input type="checkbox"/>	DLC
<input type="checkbox"/>	UL/ETL
<input type="checkbox"/>	MADE IN USA
<input type="checkbox"/>	CUSTOMER _____
<input type="checkbox"/>	OTHER
REDLINE CHECKLIST	
<input type="checkbox"/>	REDLINE(YES)
<input type="checkbox"/>	DATE: _____
<input type="checkbox"/>	INITIATED BY: _____
<input type="checkbox"/>	ECR REQUIRED YES <input type="checkbox"/> NO <input type="checkbox"/>
<input type="checkbox"/>	WORK ORDER# _____

**ELECTRICAL-OPTICAL CHARACTERISTICS (Ta = 25°C)**

BSD-1011-001	ULTRA RED	48Vdc	44	56	1835	55V	0.012 A	200	654
BSD-1011-002	HI-EFF RED	48Vdc	44	56	1835	55V	0.012 A	200	642
BSD-1011-004	YELLOW	48Vdc	44	56	1835	55V	0.012 A	200	585
BSD-1011-006	HI-EFF GREEN	48Vdc	44	56	1835	55V	0.012 A	200	566
BSD-1011-008	ULTRA BLUE	48Vdc	44	56	1835	55V	0.012 A	200	427
BSD-1011-026	HI-EFF RED/HI-EFF GREEN	48Vdc	44	56	1835	55V	0.012 A	200	642/566
LEDTRONICS PART NO.	COLOR EMITTED	CIRCUIT RATING VOLTS	CIRCUIT VOLTAGE MIN	CIRCUIT VOLTAGE MAX	REPLACES INCANDESCENT	INCANDESCENT LAMP VOLTAGE RATING	CURRENT (A)	EXTERNAL SERIES RESISTOR, Ohms	λ P nm

**LED<sup>®</sup>**  
**LEDTRONICS,™ INC.**  
 23105 KASHIWA COURT  
 TORRANCE, CA 90505

**-PROPRIETARY-**  
 This document contains Proprietary information of LEDTRONICS,™ INC. It may not be copied, used or disclosed for any purpose without the prior express written consent of LEDTRONICS,™ INC.

.XXX ± .010 TOLERANCE PER ANSI-Y14.5  
 .XX ± .025 (UNLESS OTHERWISE STATED)  
 ANGLES ± 0°,30'  
 FRACT. ± 1/32

TITLE						<b>BSD-1011-0XX</b>			
DWG NO		SCALE		SHEET		DATE			
B1011004		2:1		1 OF 1		05-30-18			
CODE IDENT NO.	DWG BY GP	CHK BY	QA EE	MFG LD	R&D KS				
8Z410	05-30-18		06-04-18	06-04-18	06-04-18				